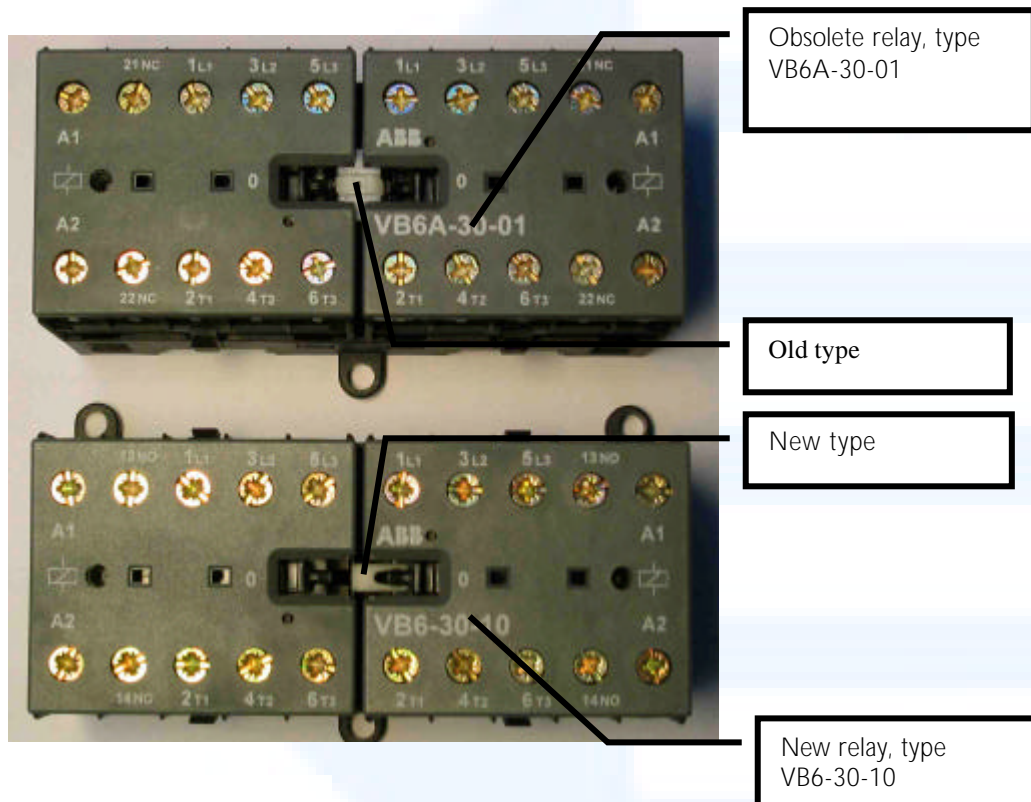


SERVICE BULLETIN NO. 118

Error Codes 14 and 15

The following applies to oven models B, C, K, BP, CP and KP:

Unfortunately, ABB reversing relay VB6A-30-01 has been causing mechanical problems recently. However, together with our supplier, ABB, we have found a solution to the problems by introducing the new relay, VB6-30-10.



The new reversing relay VB6-30-10, which replaces the former reversing relay VB6A-30-01, was introduced on 7th June 2005.

Yours sincerely,

HOUNÖ A/S

Sales & Technical Support
Customer Centre

Tel. : +45 8711 4711
Fax : +45 8711 4710
E-mail : kundecenter@houno.com
Website : <http://www.houno.com>

Visual Cooking