

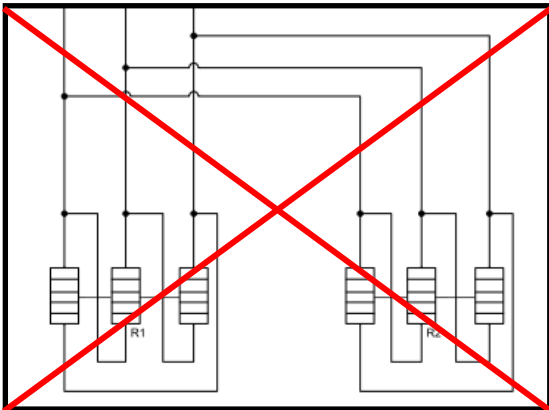
SERVICE BULLETIN NO. 177

Heating elements for 400V 3AC ovens

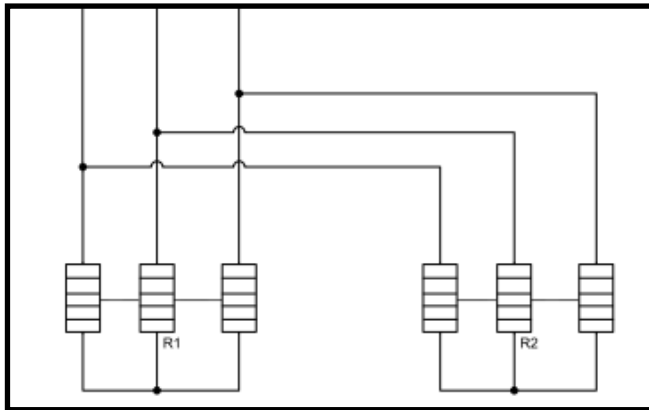
To reduce our stock of heating elements as well as to reduce the risk of incorrect mounting, we have decided that in the future all ovens with voltage specifications 400V 3AC (400V 3 phases without neutral), will be fitted with 400V 3AC N (400V 3 phases with neutral) 240V heating elements in the oven chamber as well as in the steam generator. As a result, the heating elements will be connected in star and not in delta.

Heating elements delivered as spare parts will also be 240V in the future. Please take care that the heating elements are connected correctly and be sure to order a neutral terminal so that you are able to create the star point.

Delta connection



Star connection



20700019 ring heating element 9kW Ø400, 400V is replaced by 20700059
20700020 ring heating element 9kW Ø470, 400V is replaced by 20700060
20700021 ring heating element 9kW Ø540, 400V is replaced by 20700061
20700030 heating element steam generator 9kW 400V is replaced by 20700028
20700047 heating element steam generator 7,5kW 400V is replaced by 20700045
20700056 ring heating element 12kW Ø400, 400V is replaced by 20700062

Best regards,

HOUNÖ A/S

Sales & Technical Support

Customer Centre

Tel. : +45 8711 4711

Fax : +45 8711 4710

E-mail : kundecenter@houno.com

Website : <http://www.houno.com>