



Spare parts list 2000

For Models:

CVC, CombiClean, BM, ST, CM, M/ST



Maintained and updated by





OTS (UK) LIMITED
 Unit 14 Miners Road
 Llay Industrial Estate
 Wrexham LL12 0PJ

T 01978 851114
 sales@otsuk.ltd.uk
 www.otsuk.ltd.uk

Houno Spare Parts

UK Fully Stocked Warehouse
Next Day Delivery (orders placed by 4pm)
Order by phone, email or online
Technical Drawings Available

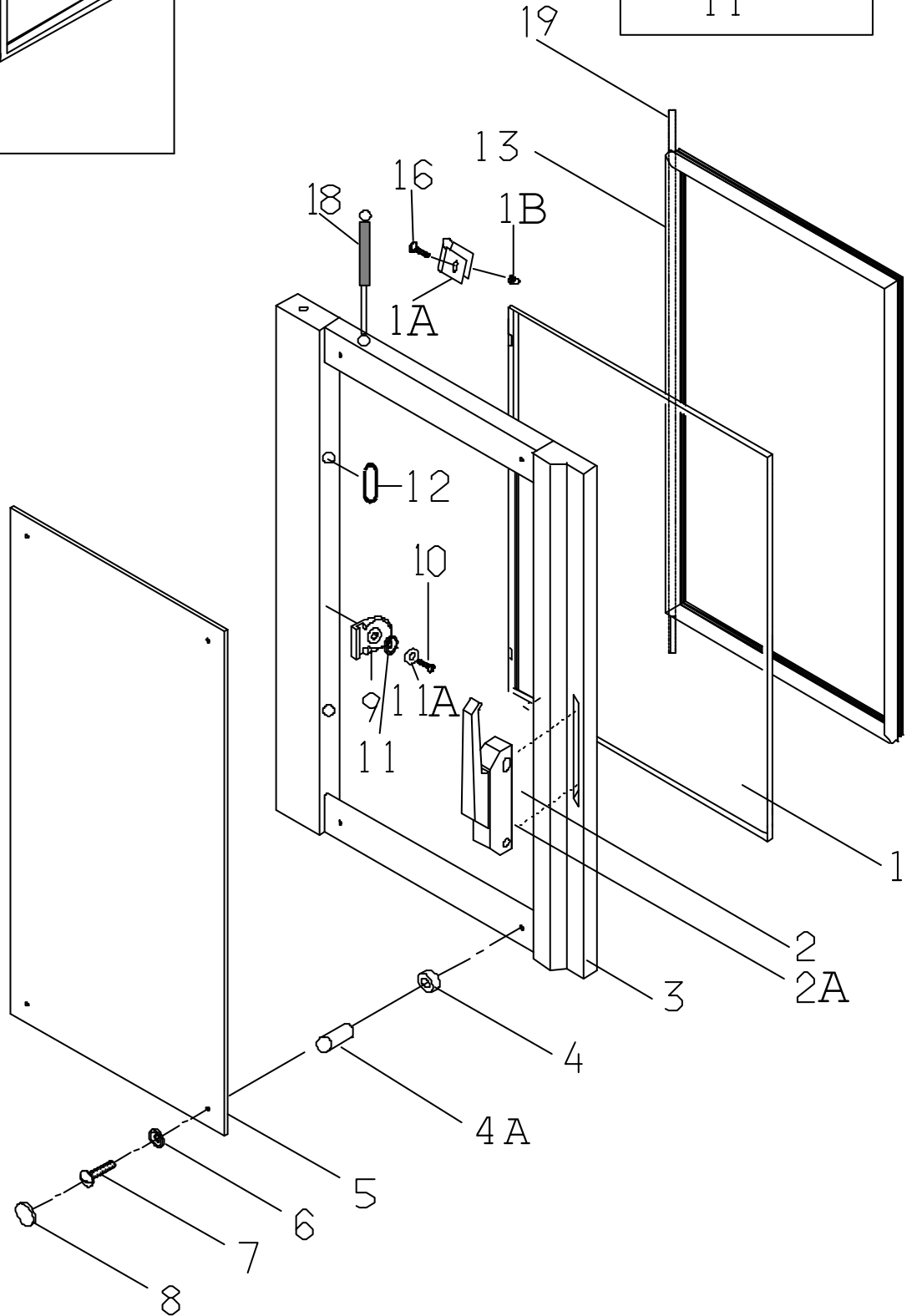
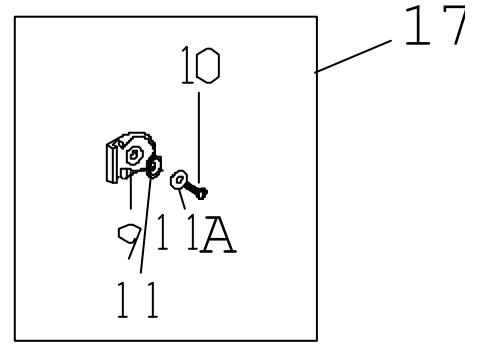
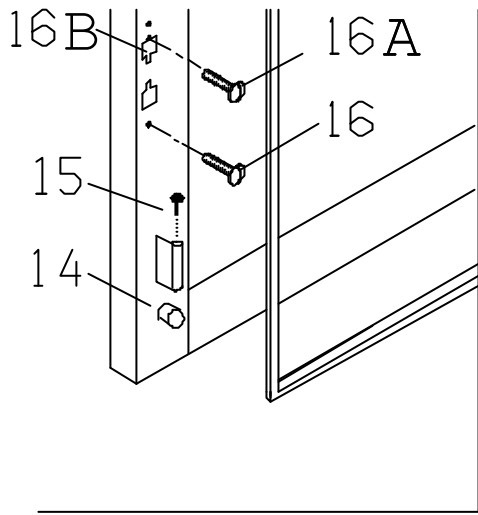


Technical Support
 technical@otsuk.ltd.uk
 T 01978 851114

Sales Enquiries
 sales@otsuk.ltd.uk
 T 01978 851114

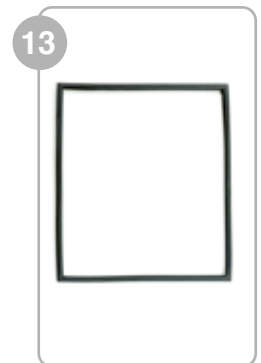
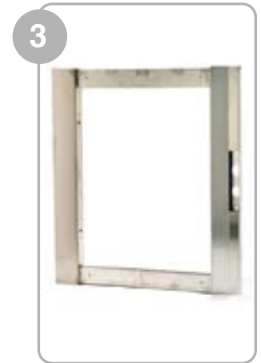
Accounts Enquiries
 accounts@otsuk.ltd.uk
 T 01978 851114

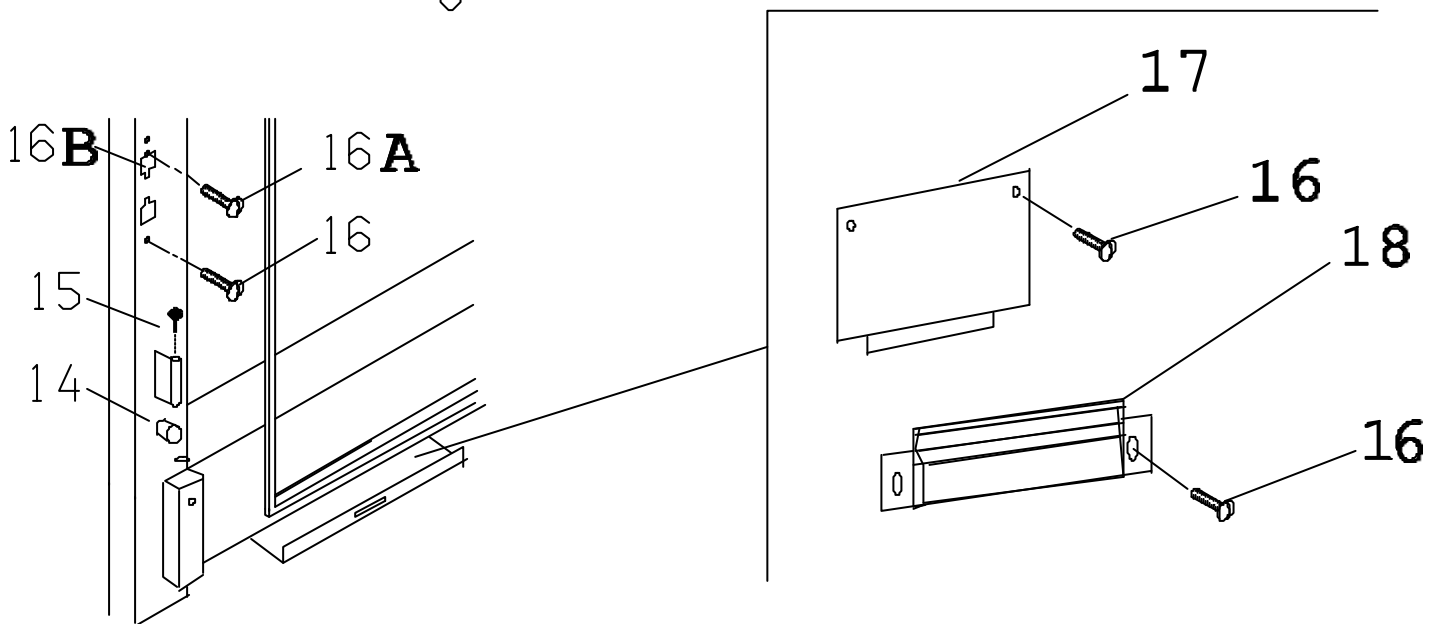
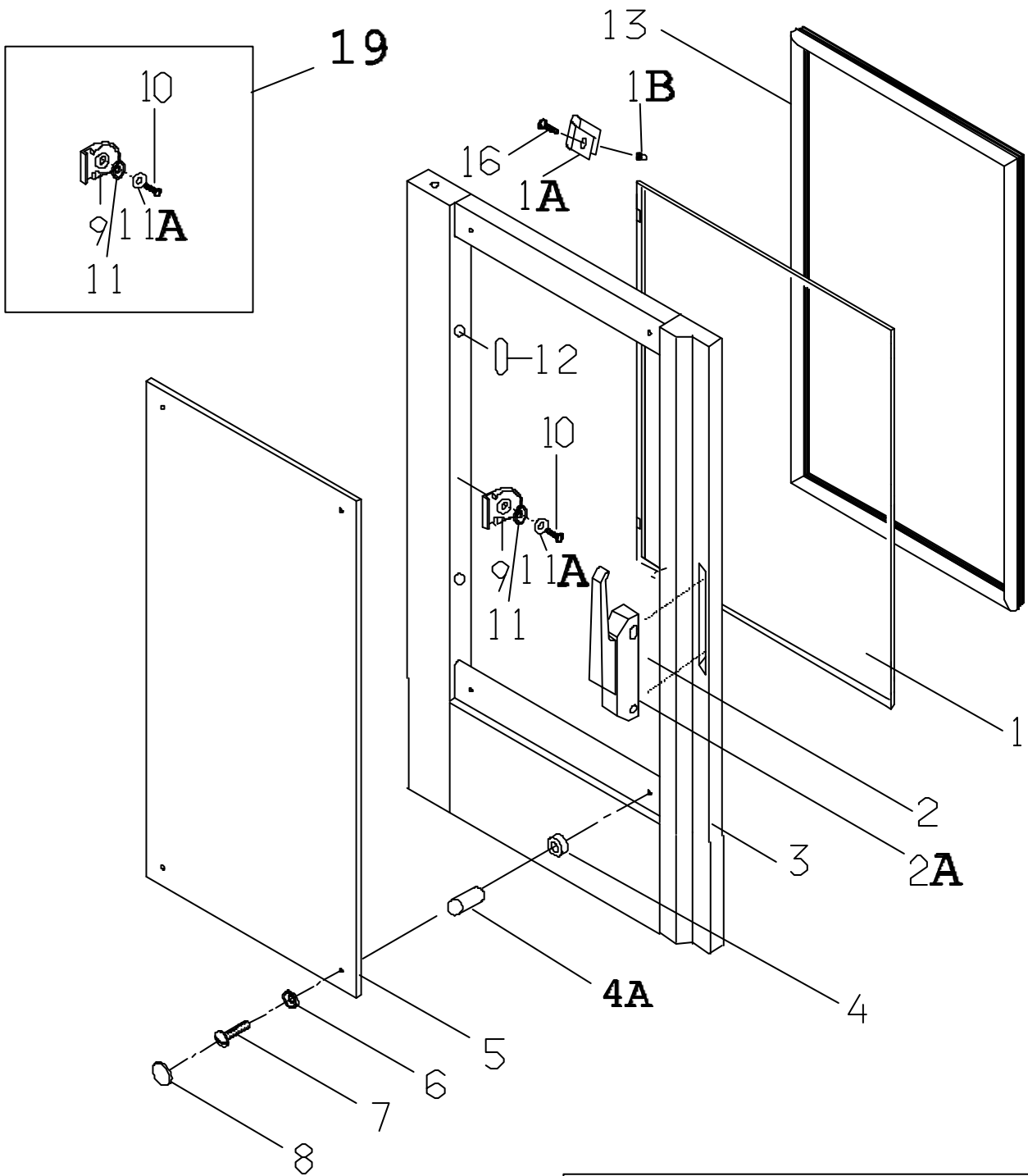
Page	Contents
3	Door
5	Door Roll-in
7	Door -03
9	Drip tray
11	Front
13	Heating Elements, model 1.06
15	Heating Elements, models 1.08–1.12
17	Heating Elements, model 1.16
19	Heating Elements, model 1.20
21	Heating Elements, models 2.10-2.14
23	Motor
25	Generator, models 1.06-1.12
27	Generator, model 1.16
29	Generator, models, 1.20, 2.10-2.14
31	Solenoid Valve, CM
33	Solenoid Valve, CV
35	Solenoid Valve, M-ST
37	Solenoid Valve, BM-B
39	Condensation
41	Exhaust
43	Computer, types I and II
45	Computer, types III and IV
47	Wiring Harness
49	Interior Light
51	Handshower and Core Temperature Probe
53	Fat drain BKI/UK
55	Fat drain BKI/UK
57	Exhaust from fat drain
59	Exhaust from fat drain
61	Exhaust from fat drain
63	Miscellaneous
65	Miscellaneous
67	Heating Elements, customised combi steamer



Door

POS	TYPE	QTY	PART NO	DESCRIPTION
1	1.06	1	034828	Interior glass
1	1.08	1	034829	Interior glass
1	1.10	1	034830	Interior glass
1	1.12	1	034831	Interior glass
1	1.16	1	034832	Interior glass
1	1.20	1	038813	Interior glass
1	2.10	1	034759	Interior glass
1	2.14	1	034836	Interior glass
1A		x	013952	Hinge bracket
1B		x	056402	Cap nut
2		1	034317	Locking device, low
2 A	Option	1	058206	Repair kit for spring, locking device
3	1.06	1	034806	Door
3	1.08	1	034807	Door
3	1.10	1	034808	Door
3	1.12	1	034809	Door
3	1.16	1	034810	Door
3	1.20	1	038815	Door
3	2.10	1	034853	Door
3	2.14	1	034854	Door
4		4	057140	Rubber washer
4A		4	015339	Nylon hose
5	1.06	1	073120	Exterior glass, blue
5	1.06	1	073128	Exterior glass, black
5	1.08	1	073121	Exterior glass, blue
5	1.08	1	073129	Exterior glass, black
5	1.10	1	073122	Exterior glass, blue
5	1.10	1	073130	Exterior glass, black
5	1.12	1	073123	Exterior glass, blue
5	1.12	1	073131	Exterior glass, black
5	1.16	1	073124	Exterior glass, blue
5	1.16	1	073132	Exterior glass, black
5	1.20	1	073178	Exterior glass, blue
5	1.20	1	073179	Exterior glass, black
5	2.10	1	073126	Exterior glass, blue
5	2.10	1	073134	Exterior glass, black
5	2.14	1	073127	Exterior glass, blue
5	2.14	1	073135	Exterior glass, black
6		4	057141	Washer
7		4	055116	Screw M5
8		4	069110	Cover cap, green
8		4	069111	Cover cap, white
8		4	069114	Cover cap, black
9		x	013973	Clamp
10		x	055114	Screw
11		x	014057	Rubber washer
11A		x	057403	Washer
12		2	013968	Stopper, plastic
13	1.06	1	037063	Door seal
13	1.08	1	037064	Door seal
13	1.10	1	037065	Door seal
13	1.12	1	037066	Door seal
13	1.16	1	037067	Door seal
13	1.20	1	037068	Door seal
13	2.10	1	037069	Door seal
13	2.14	1	037070	Door seal
14		4	014043	Stopper, rubber
15		4	014049	Stopper, plastic
16		x	055114	Screw
16A		1	055511	Screw
16B		1	014059	Piece for handle
17		1	066803	Bracket for exterior glass, assy
18	Marine	1	064872	Gas spring, N = 50
19	Combi-Plus	1	059041	Hose for drain, drip tray

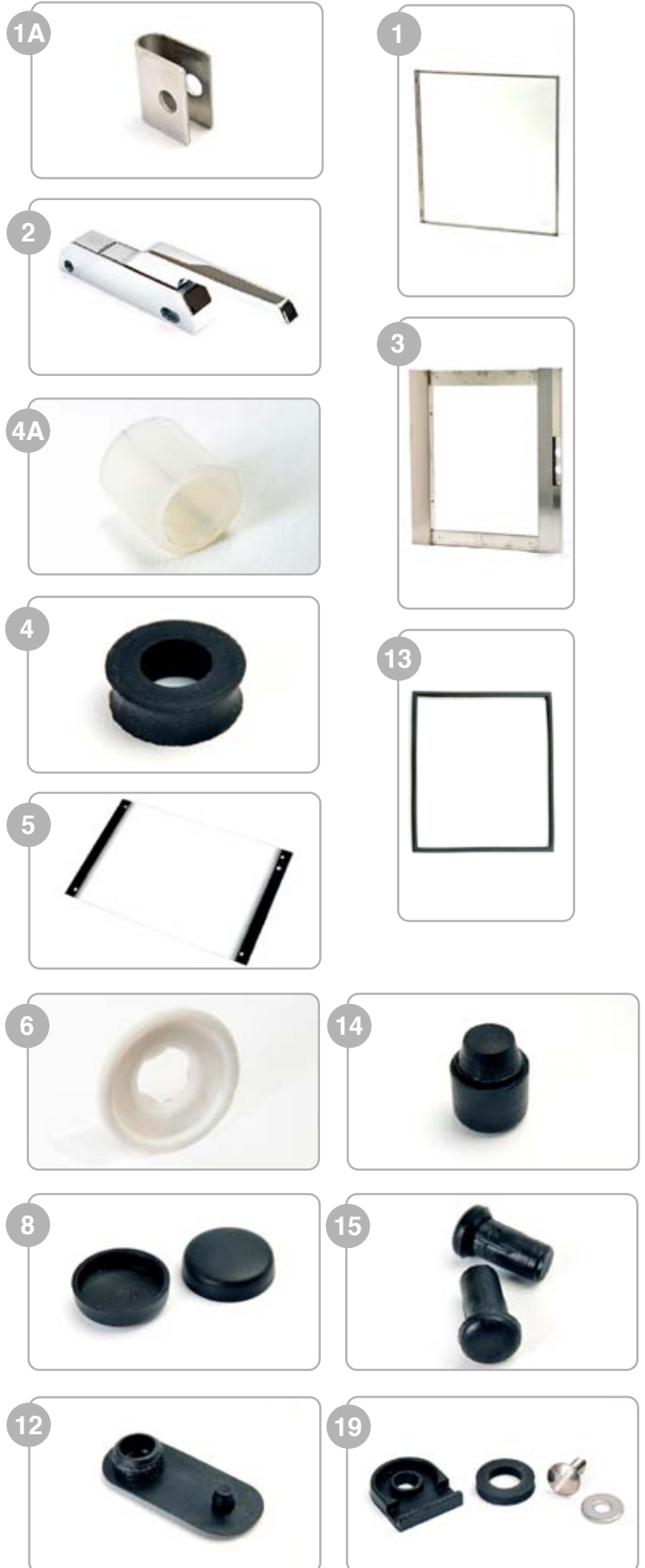


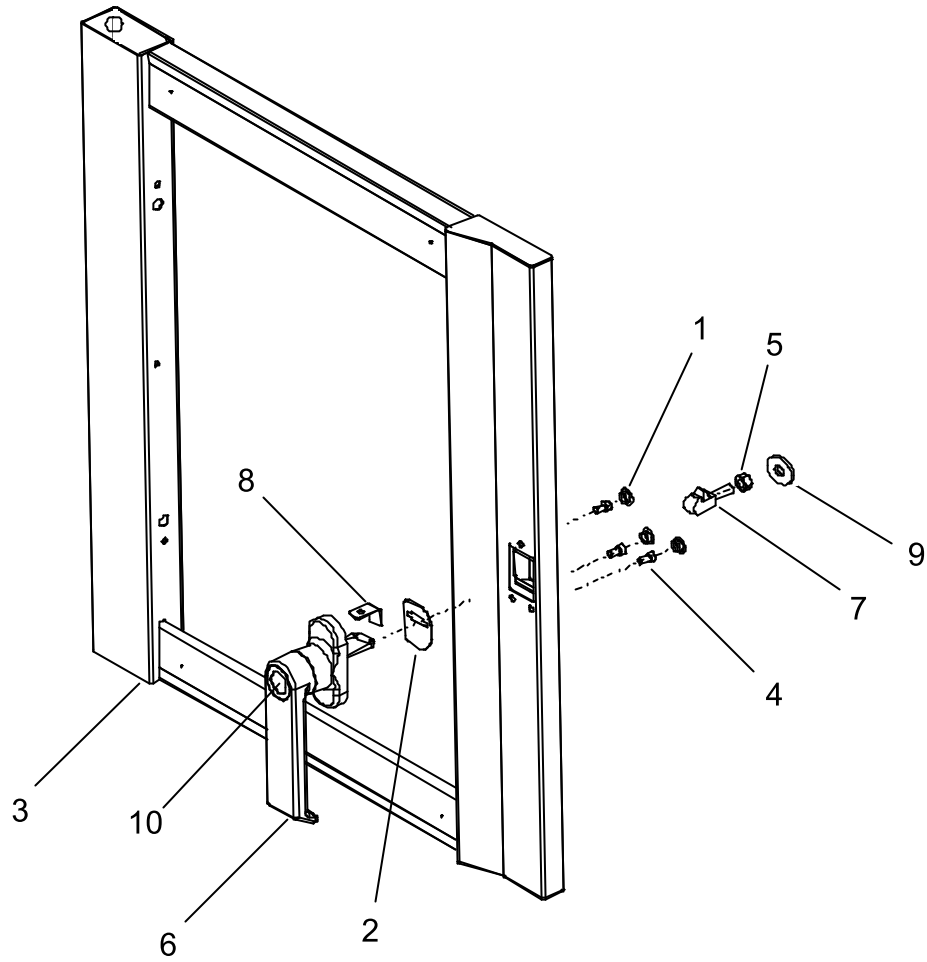


Door Roll-in

POS	TYPE	QTY	PART NO	DESCRIPTION
1	1.16	1	038674	Interior glass
1	1.20	1	034833	Interior glass, Lh hinged
1	1.20	1	041071	Interior glass Rh hinged
1A		x	013952	Hinge bracket
1B		x	056402	Cap nut
2		1	034317	Locking device, low
2 A	Option	1	058206	Repair kit for spring, locking device
3	1.16	1	038082	Door Lh hinged
3	1.16	1	038150	Door Rh hinged
3	1.20	1	034811	Door Lh hinged
3	1.20	1	034812	Door Rh hinged
4		4	057140	Rubber washer
4A		4	015339	Nylon hose
5	1.16	1	073123	Exterior glass, blue
5	1.16	1	073131	Exterior glass, black
5	1.20	1	073125	Exterior glass, blue
5	1.20	1	073133	Exterior glass, black
6		4	057141	Washer
7		4	055116	Screw M5
8		4	069110	Cover cap, green
8		4	069111	Cover cap, white
8		4	069114	Cover cap, black
9		x	013973	Clamp
10		x	055114	Screw
11		x	014057	Rubber washer
11A		x	057403	Washer
12		2	013968	Stopper, plastic
13	1.16	1	037067	Door seal
13	1.20	1	037068	Door seal
14		4	014043	Stopper, rubber
15		4	014049	Stopper, plastic
16		x	055114	Screw
16A		1	055511	Screw
16B		1	014059	Piece for handle
17*	1.20	1	037165	Plate for oven door
18		1	040198	Plate for door sealing, complete
19		1	066803	Bracket for exterior glass, complete

* Used without roll-in

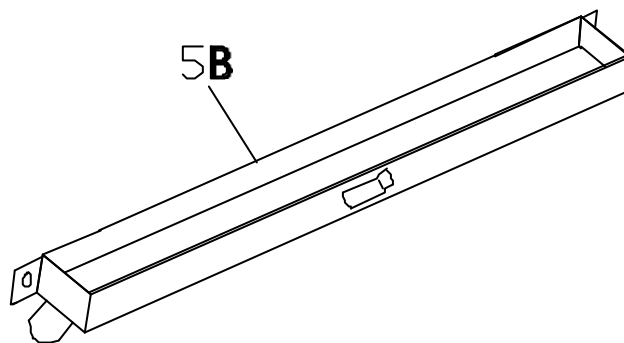
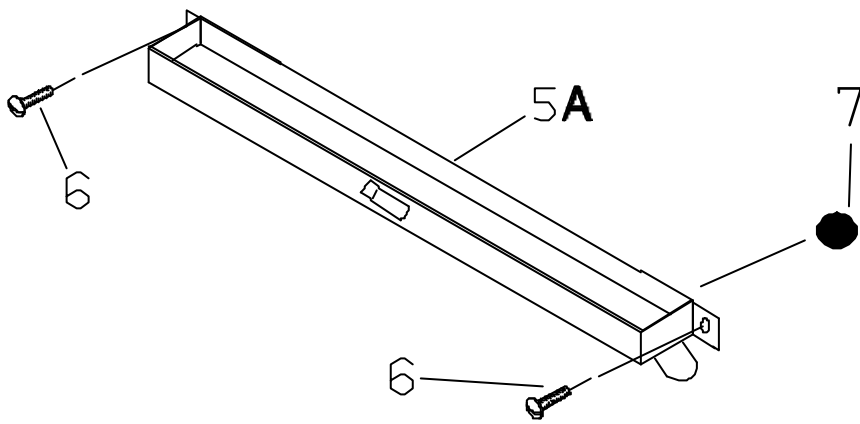
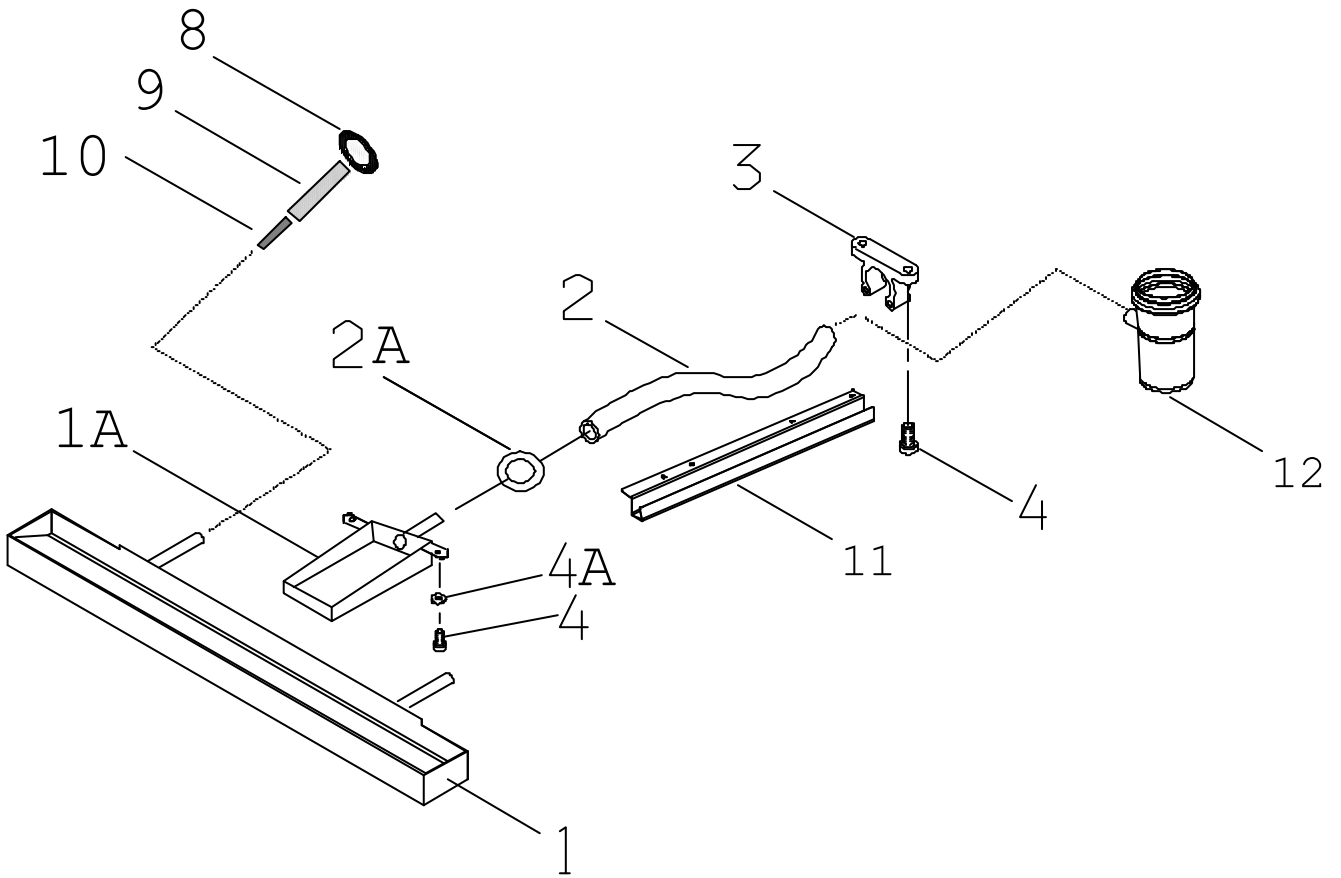




Door-03
Used only in Sweden and Denmark

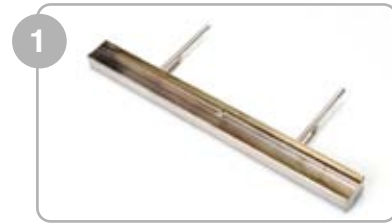
POS	TYPE	QTY	PART NO	DK BESKRIVELSE	GB DESCRIPTION	D BESCHREIBUNG	S BESKRIVNING
1		3	013972	Afdækning			Täckpropp
2		1	016746	Dækplade, håndtag			Täckplåt, handtag
3	1.06	1	038990	Ovnlåge -03			Dörram <03
3	1.08	1	038991	Ovnlåge -03			Dörram <03
3	1.10	1	038992	Ovnlåge -03			Dörram <03
3	1.12	1	038993	Ovnlåge -03			Dörram <03
3	1.16	1	038970	Ovnlåge -03			Dörram <03
3	1.20	1	038994	Ovnlåge -03			Dörram <03
3	2.10	1	038995	Ovnlåge -03			Dörram <03
3	2.14	1	038996	Ovnlåge -03			Dörram <03
4		3	055943	Skruer M5 X 10			Skruv M5x10
5		1	056800	Møtrik M8			Mutter M5
6		1	069019	Lukketøj -03			Handtag <03
7		1	069020	Hage, 2 trin, -03			Hake, 2-steps <03
8		1	20400099	Fjeder			Fjäder
9		1	057927	Skive			Bricka
10		1	069024	Kappe			Täckbricka

Indvendigt og udvendigt glas, afdækninger etc. er det samme som på side 3.
Invändigt och utvändigt glas, hållare o.dyl. är det samma som på sidan 3.



Drip Tray

POS	TYPE	QTY	PART NO	DESCRIPTION
1	1.06-1.20	1	034960	Drip tray Sloped with Hole
1	2.10-2.14	1	033887	Drip tray
1A		1	013971	Discharge tray
2		1	059031	Hose
2A		1	058652	Clamp
3		1	069513	Holder
4		4	055407	Screw
4A		2	057400	Washer
5A*	1.06-1.16	1	034954	Drip slide, Lh hinged
5A*	2.10-2.14	1	034956	Drip slide, Lh hinged
5B*	1.06-1.16	1	034955	Drip slide, Rh hinged
5B*	2.10-2.14	1	034957	Drip slide, Rh hinged
6		2	055114	Screw
7		1	013046	Sealing for drip tray
8		2	069522	Lead-in
9		2	013988	Tube for trip tray II
10		2	014070	Spring for drip tray
11		1	016344	Hose clamp for drip pan
12		1	038131	Drain with 1 branch



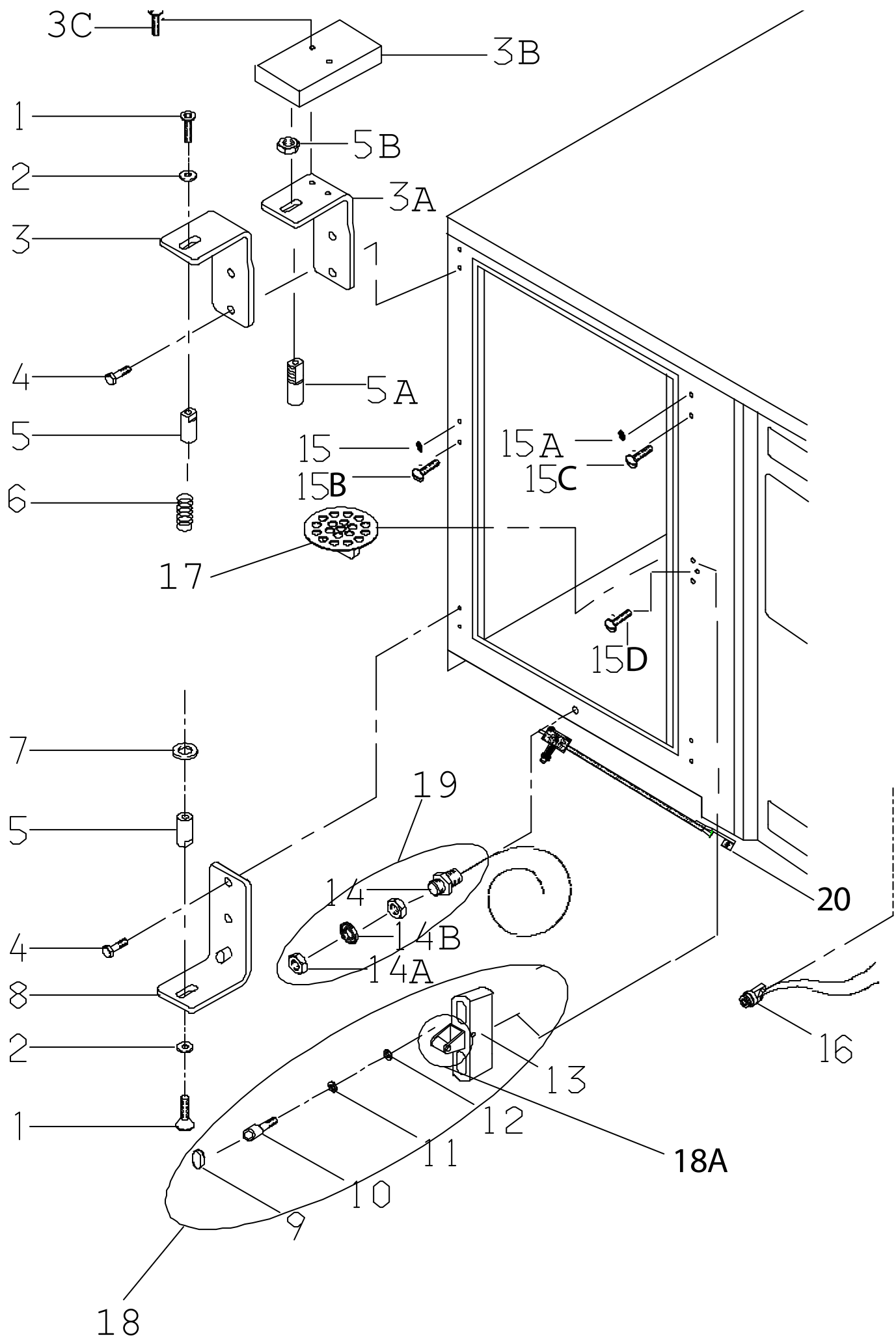
*- Exterior plate for activating sensor obsolete as of 23rd October 2000

1*		1	038499	Drip Tray 3.25" Wide
----	--	---	--------	----------------------



NEW

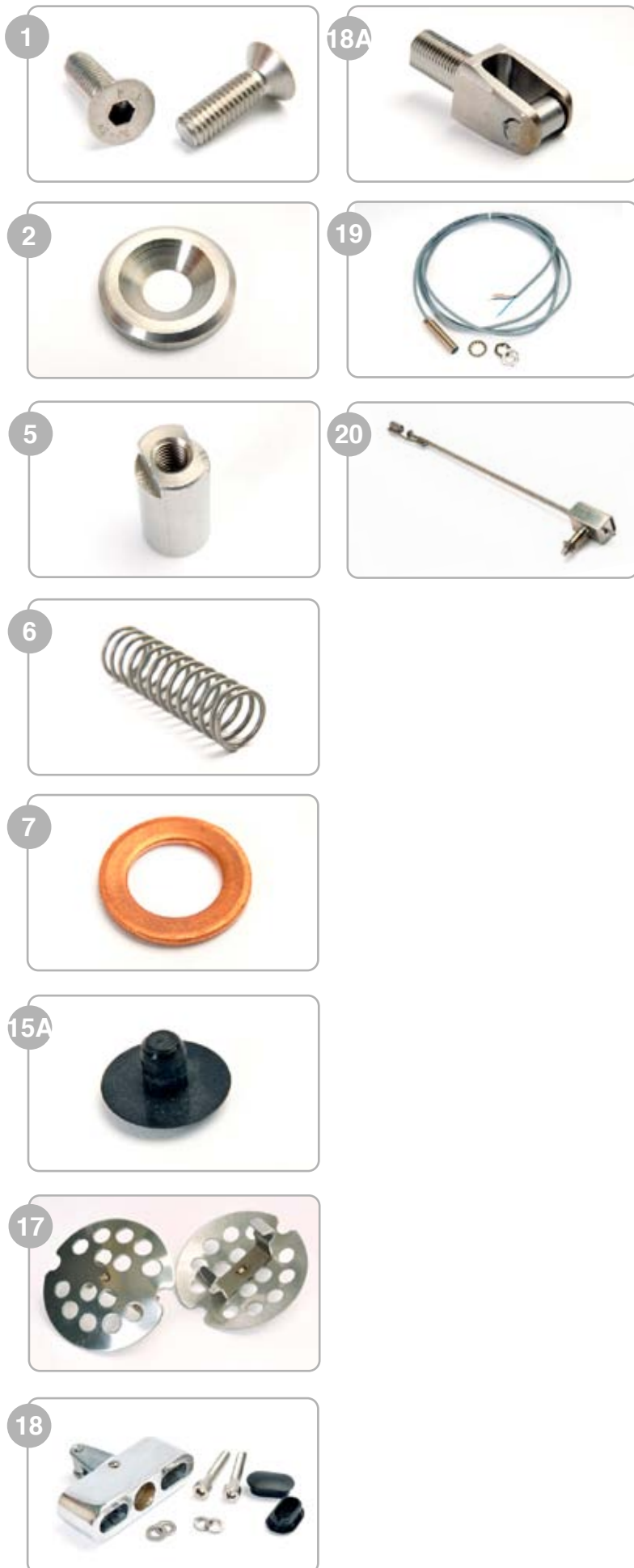
Replaces 034960 in most cases

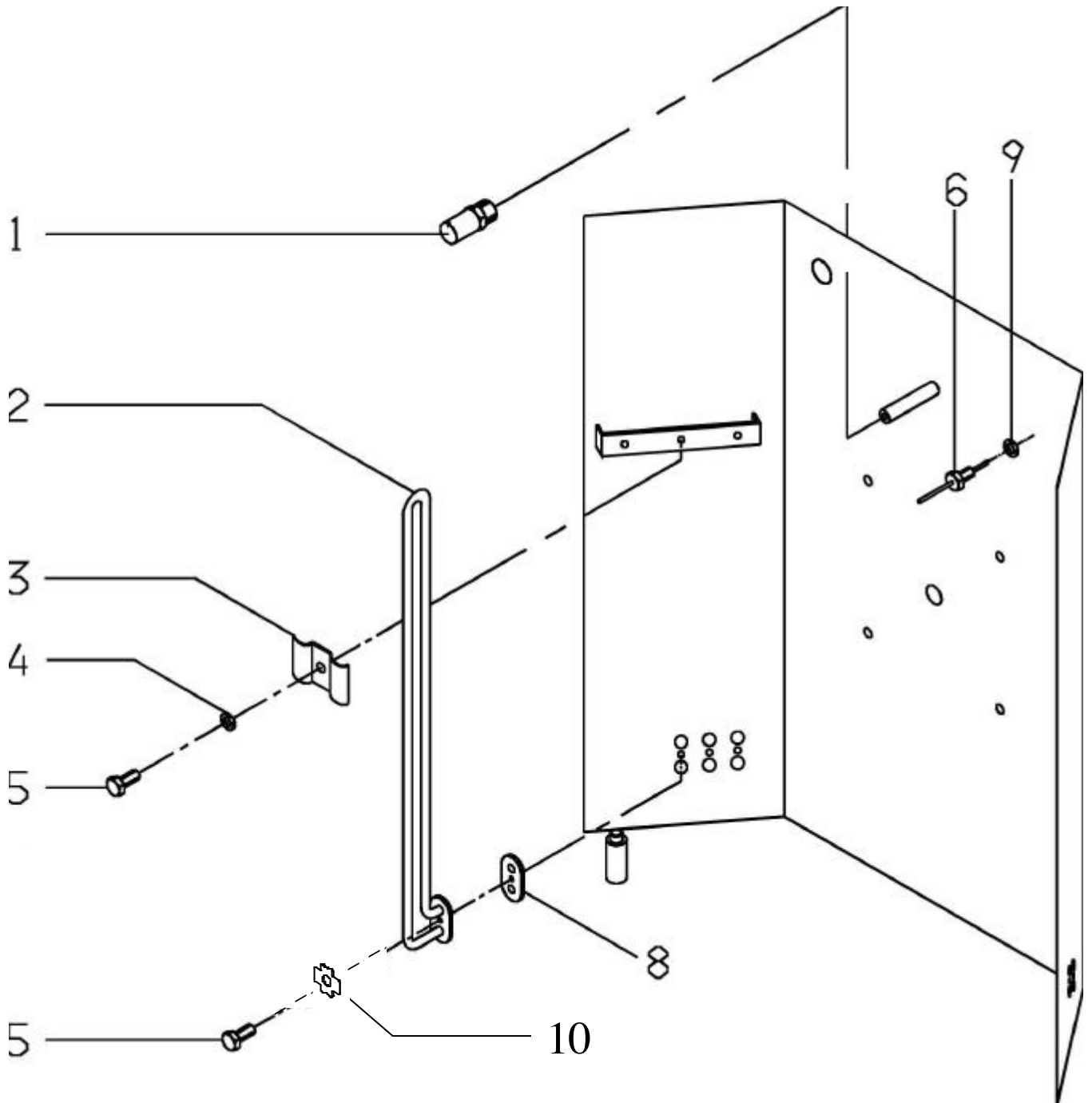


Front

POS	TYPE	QTY	PART NO	DESCRIPTION
1		2	055620	Screw, M6
2		2	012622	Washer
3		1	012258	Hinge, upper
3 A	B/BM	1	013423	Hinge, upper
3 B	B/BM	1	033051	Cover
3 C	B/BM	2	055409	Screw, M4
4		4	055616	Screw, M6
5		2	011195	Bushing
5A	B/BM	1	013382	Pin
5B	B/BM	1	013383	Nut
6		1	058199	Spring
7		1	057711	Washer, copper
8		1	034051	Hinge, lower
9		2	069015	Cover for catch
10		2	055503	Screw
11		2	057501	Washer, spring
12		2	057500	Washer
13		1	069012	Catch
14	USE 038202	1	062001	Sensor, inductive
14*	USE 038203	2	062929	Sensor, inductive
14A		3	062002	Plastic nut
14B		1	012996	Sealing
15		2	013972	Stopper, plastic
15A		4	013969	Plastic plug
15 B		2	055116	Screw, blinding
15 C		4	055611	Screw, blinding
15 D		1	055119	Screw, blinding
16		1	067889	Socket for probe
17		1	032054	Grating for drain
18		1	037967	Catch, 2-step, assy
18 A		1	069016	Striker Only, Stainless
19		1	038202	Sensor, inductive, assy
19*		2	038203	Sensor, inductive, assy
20	1/1-GN	1	032300	Mechanical door switch, CombiPlus, 1/1-GN
20	2/2-GN	1	032400	Mechanical door switch, CombiPlus, 2/1-GN

* Pass-through models

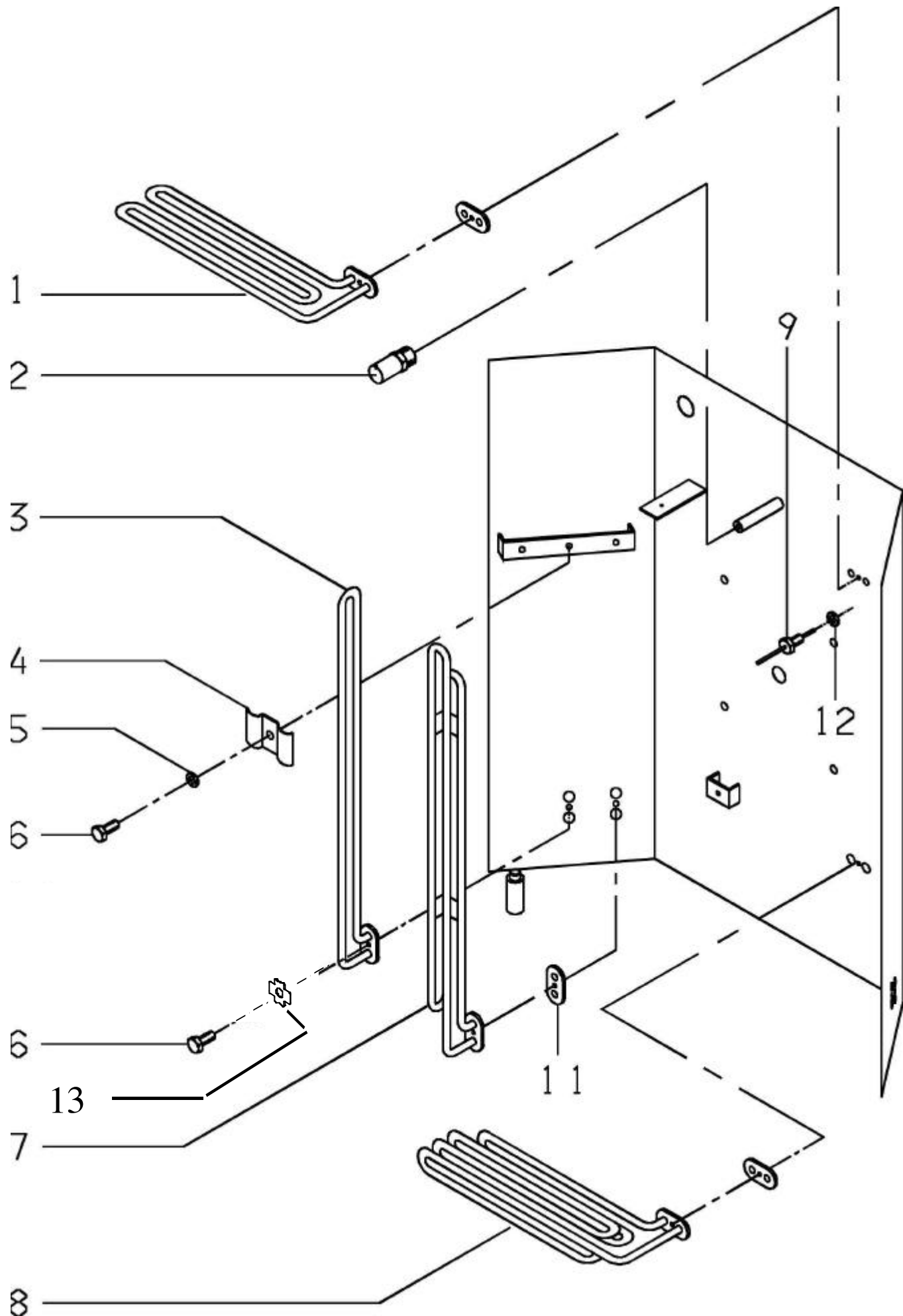




Heating Elements model 1.06

POS	TYPE	QTY	PART NO	DESCRIPTION
1		1	059216	Nozzle, elbow
2	3 x200	6	072477	Heating ele. 1300 W
2	3 x230	6	072406	Heating ele. 1300 W
2	3 x400+N	6	072406	Heating ele. 1300 W
2	3 x400	6	072466	Heating ele. 1300 W
2	3 x415+N	6	072448	Heating ele. 1300 W
2	3 x440V	6	072424	Heating ele. 1300 W
2	3x480 V	6	072470	Heating ele. 1300 W
3		4	013031	Pipe holder
4		4	057501	Washer
5		6	055956	Screw
6		1	062500	Temperature sensor
7				Not used
8		6	070101	Gasket
9		1	057801	Washer
10		6	016774	Nut lock for heating element

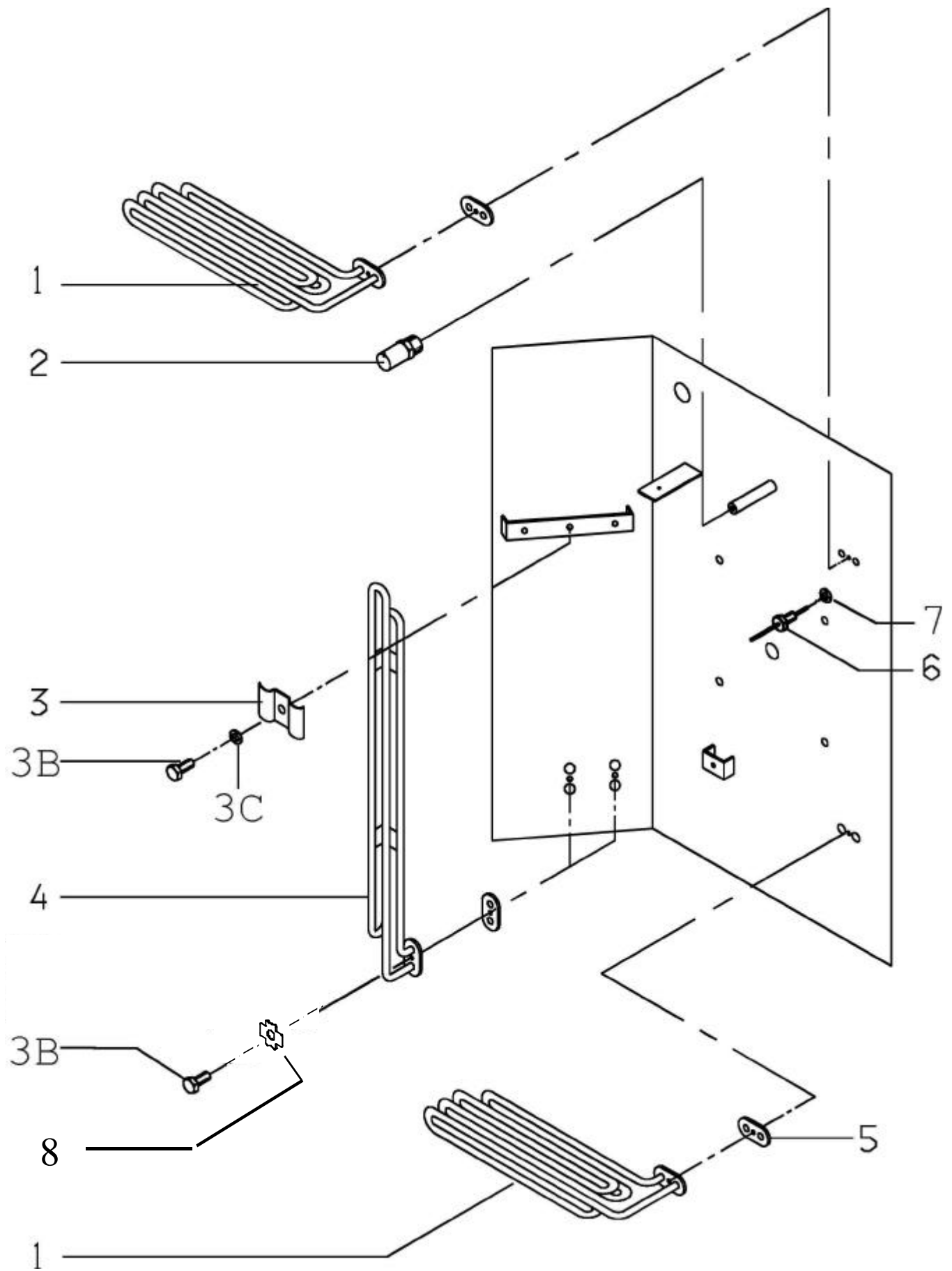




Heating Elements Model 1.08 - 1.12

P	TYPE	QTY	PART NO	DESCRIPTION
1	3 x200	1	072474	Heating ele. 1650W
1	3 x230	1	072403	Heating ele. 1650W
1	3 x400+N	1	072403	Heating ele. 1650W
1	3 x400	1	072461	Heating ele. 1650W
1	3 x415+N	1	072449	Heating ele. 1650W
1	3 x440	1	072426	Heating ele. 1650W
1	3 x 480 V	1	072480	Heating ele. 1650W
2		1	059216	Nozzle, elbow
3	3 x200	2	072475	Heating ele. 1650W
3	3 x230	2	072404	Heating ele. 1650W
3	3 x400+N	2	072404	Heating ele. 1650W
3	3 x400	2	072462	Heating ele. 1650W
3	3 x415+N	2	072452	Heating ele. 1650W
3	3 x440 V	2	072425	Heating ele. 1650W
3	3 x480 V	2	072481	Heating ele. 1650W
4		4	013031	Pipe holder
5		4	057501	Washer
6		10	055956	Screw
7	3 x200	2	037814	Heating ele. 3300W
7	3 x230	2	032033	Heating ele. 3300W
7	3 x400+N	2	032033	Heating ele. 3300W
7	3 x400	2	034233	Heating ele. 3300W
7	3 x415+N	2	032047	Heating ele. 3300W
7	3 x440	2	033619	Heating ele. 3300W
7	3 x 480 V	2	038370	Heating ele. 3300W
8	3 x200	1	072473	Heating ele. 3300W
8	3 x230	1	072418	Heating ele. 3300W
8	3 x400+N	1	072418	Heating ele. 3300W
8	3 x400	1	072468	Heating ele. 3300W
8	3 x415+N	1	072450	Heating ele. 3300W
8	3 x440	1	072429	Heating ele. 3300W
8	3 x 480 V	1	072483	Heating ele. 3300W
9		1	062500	Temperature sensor
10				Not used
11		6	070101	Gasket
12		1	057801	Washer
13		6	016774	Nut lock

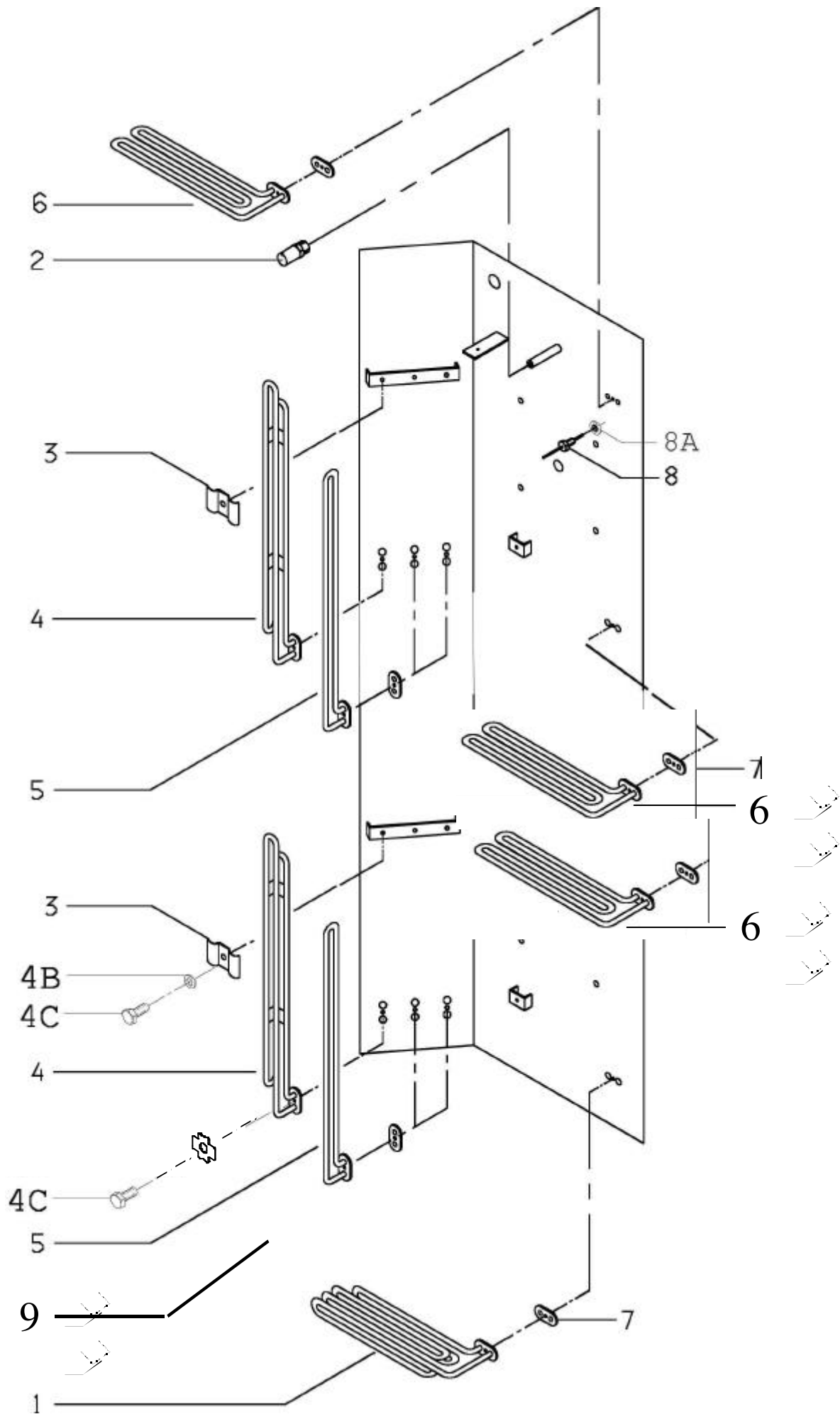




Heating Elements Model 1.16

P	TYPE	QTY	PART NO	DESCRIPTION
1	3 x 200	2	072473	Heating ele. 3300W
1	3 x 230	2	072418	Heating ele. 3300W
1	3 x 400+N	2	072418	Heating ele. 3300W
1	3 x 400	2	072468	Heating ele. 3300W
1	3 x 415+N	2	072450	Heating ele. 3300W
1	3 x 440	2	072429	Heating ele. 3300W
1	3 x 480 V	2	072483	Heating ele. 3300W
2		1	059216	Nozzle, elbow
3		6	013031	Pipe holder
3A		6	057501	Washer
3B		12	055956	Screw
3C		6	057501	Washer, spring
4	3 x 200	4	037814	Heating ele. 3300W
4	3 x 230	4	032033	Heating ele. 3300W
4	3 x 400+N	4	032033	Heating ele. 3300W
4	3 x 400	4	034233	Heating ele. 3300W
4	3 x 415+N	4	032047	Heating ele. 3300W
4	3 x 440	4	033619	Heating ele. 3300W
4	3 x 480 V	4	038370	Heating ele. 3300W
5		6	070101	Gasket
6		1	062500	Temperature sensor
7		1	057801	Washer
8		6	016774	Nut lock

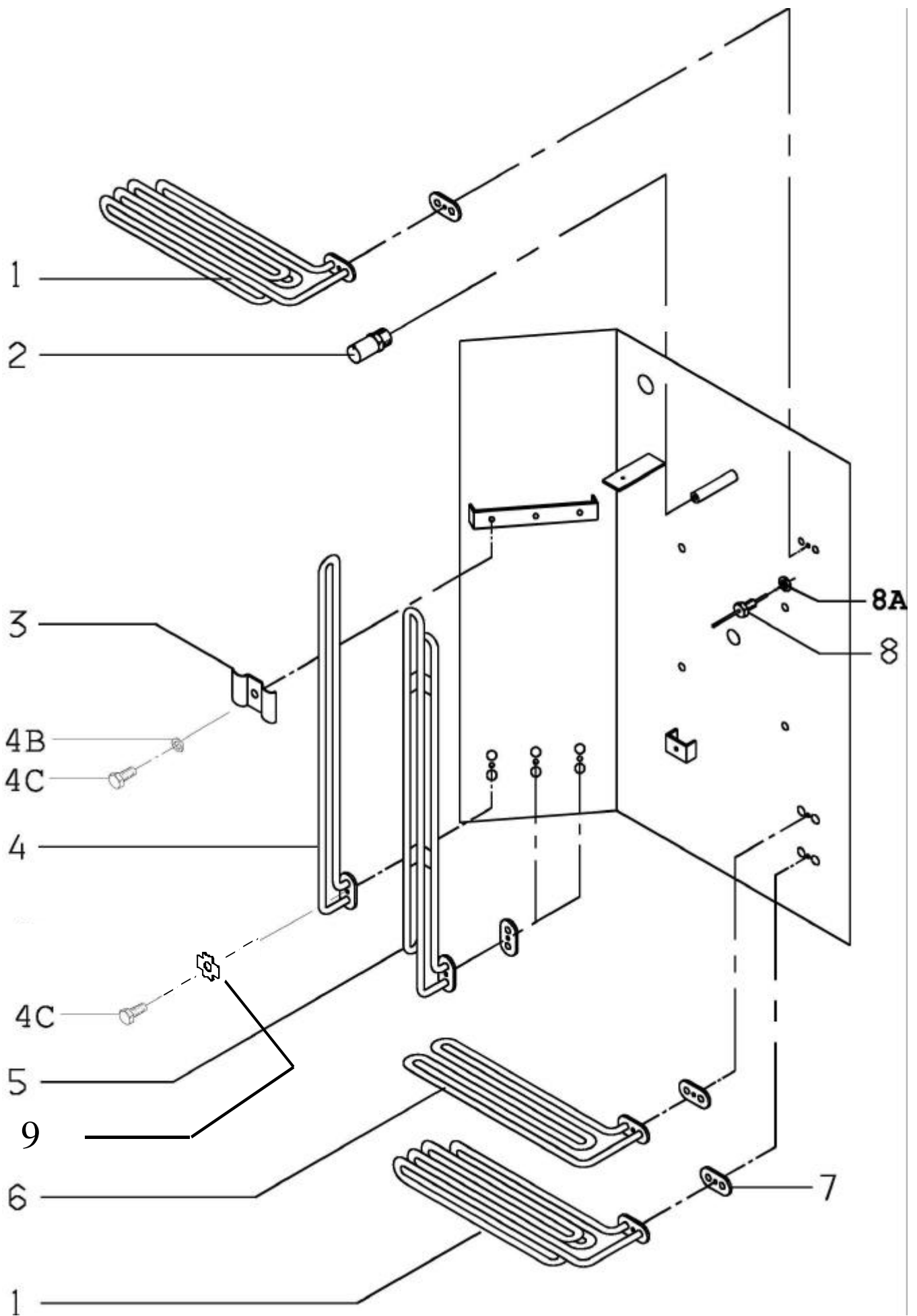




Heating Elements Model 1.20

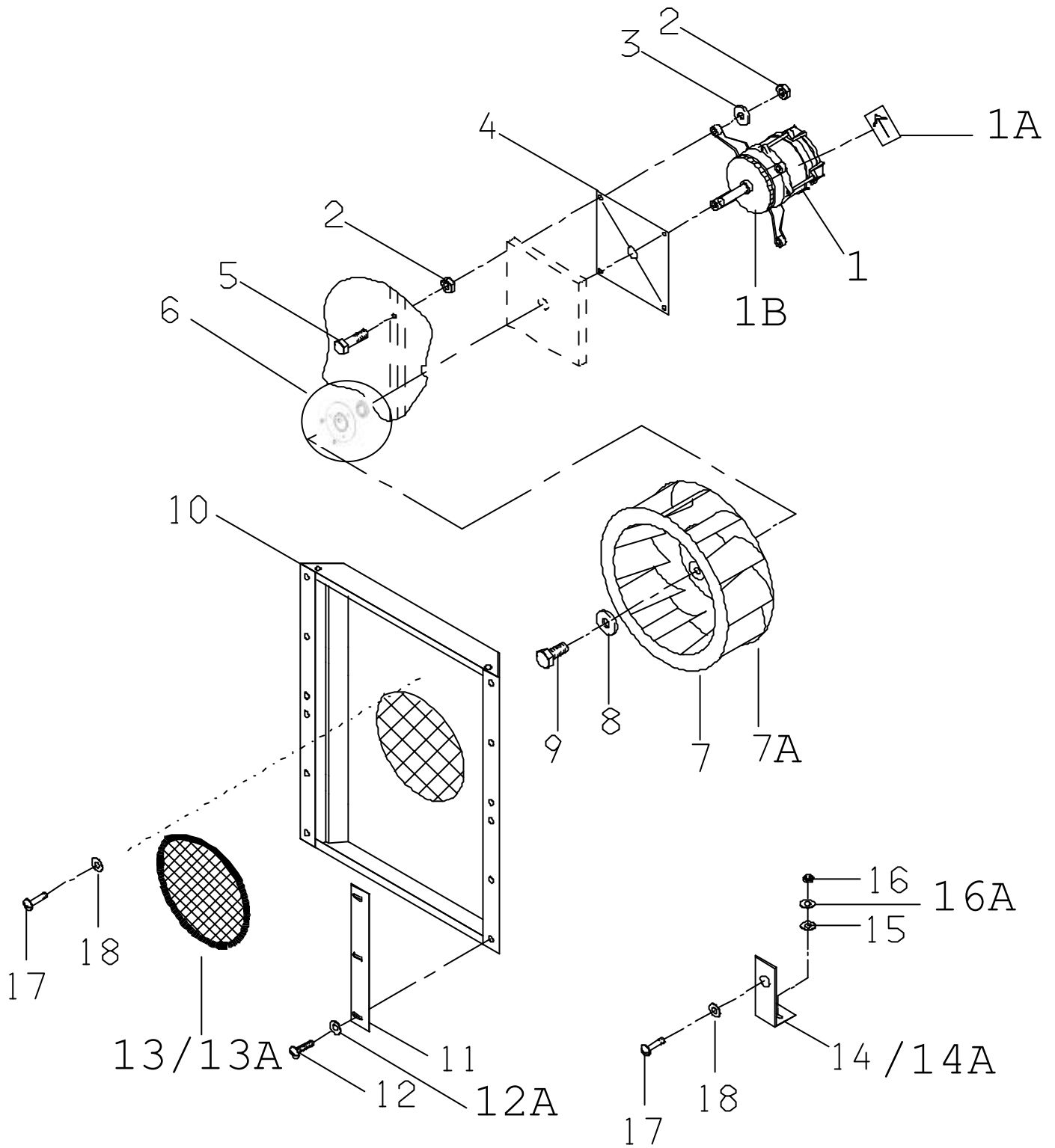
P	TYPE	QTY	PART NO	DESCRIPTION
1	3 x 200	1	072473	Heating ele. 3300W
1	3 x230	1	072418	Heating ele. 3300W
1	3 x400+N	1	072418	Heating ele. 3300W
1	3 x400	1	072468	Heating ele. 3300W
1	3 x415+N	1	072450	Heating ele. 3300W
1	3 x440	1	072429	Heating ele. 3300W
1	3 x 480 V	1	072483	Heating ele. 3300W
2		1	059216	Nozzle, elbow
3		11	013031	Pipe holder
4	3 x 200	4	037814	Heating ele. 3300W
4	3 x230	4	032033	Heating ele. 3300W
4	3 x400+N	4	032033	Heating ele. 3300W
4	3 x400	4	034233	Heating ele. 3300W
4	3 x415+N	4	032047	Heating ele. 3300W
4	3 x440	4	033619	Heating ele. 3300W
4	3 x 480 V	4	038370	Heating ele. 3300W
4A				Not used
4B		10	057501	Washer, spring
4C		26	055956	Screw
5	3 x200	8	072475	Heating ele. 1650W
5	3 x230	8	072404	Heating ele. 1650W
5	3 x400+N	8	072404	Heating ele. 1650W
5	3 x400	8	072462	Heating ele. 1650W
5	3 x415+N	8	072452	Heating ele. 1650W
5	3 x440	8	072425	Heating ele. 1650W
5	3 x 480	8	072481	Heating ele. 1650W
6	3 x200	3	072474	Heating ele. 1650W
6	3 x230	3	072403	Heating ele. 1650W
6	3 x400+N	3	072403	Heating ele. 1650W
6	3 x400	3	072461	Heating ele. 1650W
6	3 x415+N	3	072449	Heating ele. 1650W
6	3 x440	3	072426	Heating ele. 1650W
6	3 x 480	3	072480	Heating ele. 1650W
7		16	070101	Gasket
8		1	062500	Temperature sensor
8A		1	057801	Washer
9		16	016774	Nut lock





Heating Elements modell 2.10 - 2.14

P	TYPE	QTY	PART NO	DESCRIPTION
1	3 x 200	2	072473	Heating ele. 3300W
1	3 x230	2	072418	Heating ele. 3300W
1	3 x400+N	2	072418	Heating ele. 3300W
1	3 x400	2	072468	Heating ele. 3300W
1	3 x415+N	2	072450	Heating ele. 3300W
1	3 x440	2	072429	Heating ele. 3300W
1	3 x480	2	072483	Heating ele. 3300W
2		1	059216	Nozzle, elbow
3		8	013031	Pipe holder
4	3 x 200	2	072475	Heating ele. 1650W
4	3 x230	2	072404	Heating ele. 1650W
4	3 x400+N	2	072404	Heating ele. 1650W
4	3 x400	2	072462	Heating ele. 1650W
4	3 x415+N	2	072452	Heating ele. 1650W
4	3 x440	2	072425	Heating ele. 1650W
4	3 x 480	2	072481	Heating ele. 1650W
4A				Not used
4B		8	057501	Washer, spring
4C		17	055516	Screw
5	3 x 200	4	037814	Heating ele. 3300W
5	3 x230	4	032033	Heating ele. 3300W
5	3 x400+N	4	032033	Heating ele. 3300W
5	3 x400	4	034233	Heating ele. 3300W
5	3 x415+N	4	032047	Heating ele. 3300W
5	3 x440	4	033619	Heating ele. 3300W
5	3 x 480	4	038370	Heating ele. 3300W
6	3 x 200	1	072474	Heating ele. 1650W
6	3 x230	1	072403	Heating ele. 1650W
6	3 x400+N	1	072403	Heating ele. 1650W
6	3 x400	1	072461	Heating ele. 1650W
6	3 x415+N	1	072449	Heating ele. 1650W
6	3 x440	1	072426	Heating ele. 1650W
6	3 x480	1	072480	Heating ele. 1650W
7		9	070101	Gasket
8		1	062500	Temperature sensor
8A		1	057801	Washer
9		9	016774	Nut Lock



Motor

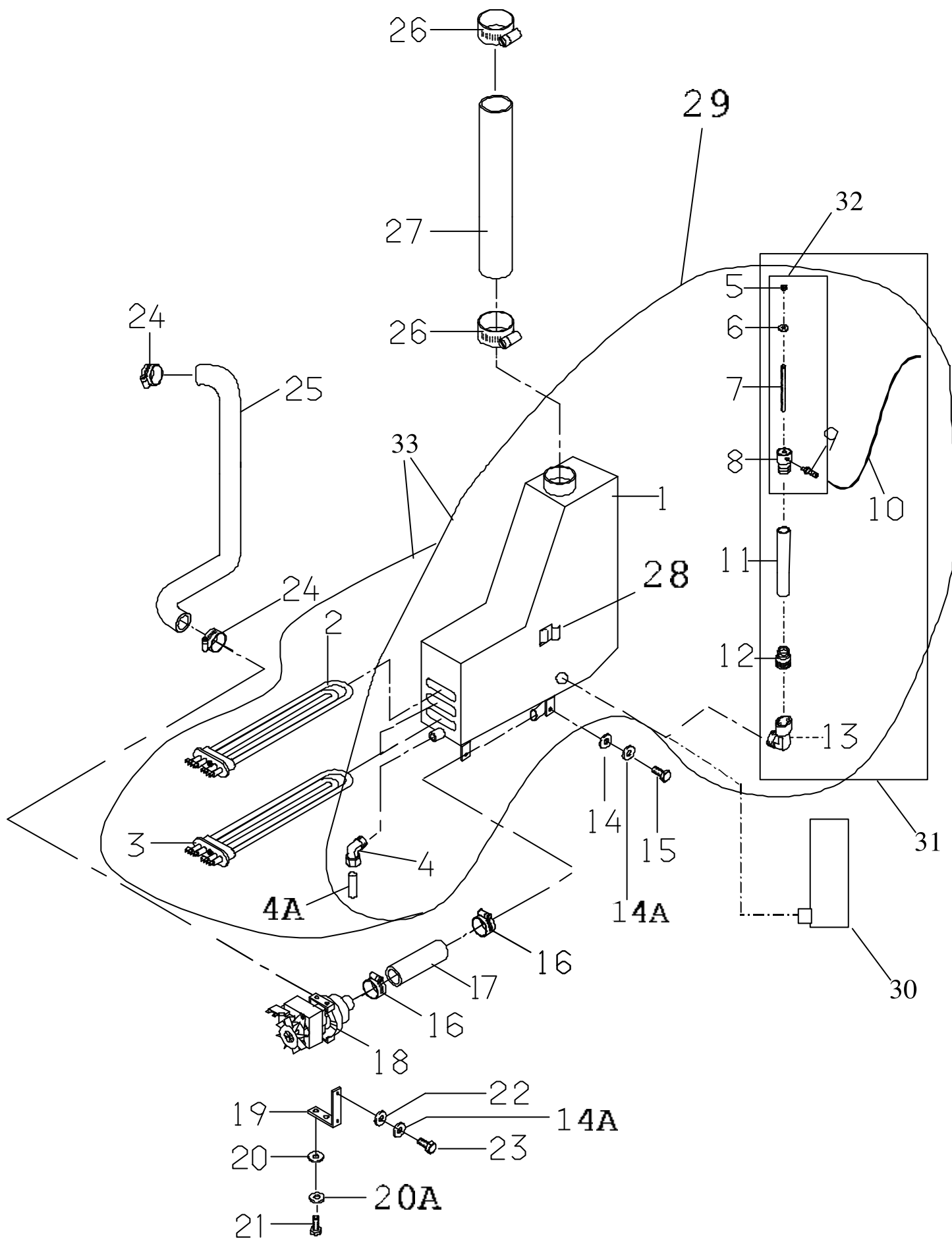
P	TYPE	QTY	PART NO	DESCRIPTION
1		1*	060201	Fan motor, 3 x 380/480
1	Rever- sering	1*	060207	Motor, reversing 3 x 380/480 w. sensor
1	Rever- sering	1*	060208	Motor, reversing, 3 x 200/240
1		1*	060202	Fan 3 x 220
1A		1	073556	Arrow (sticker)
1B		1	060216	Impeller
1C		1		Plug for motor
2		8*	056800	Nut M8
3		4*	057801	Washer M8
4		1*	011722	Motor plate
5		4*	055945	Screw M8
6		1*	038870	Shaft Gasket, kpl.
7		1*	060302	Fan wheel curved blade
7A	Rever- sering	1*	060306	Fan wheel, revers., straight blades
8		1*	057901	Washer M10
9		1*	055920	Screw M10
10	1.06	1	037291	Filter housing
10	1.08	1	037292	Filter housing
10	1.10	1	037293	Filter housing
10	1.12	1	037294	Filter housing
10	1.16	1	037295	Filter housing
10	1.20	2	037780	Filter housing
10	2.10	1	037297	Filter housing
10	2.14	1	037298	Filter housing
***	BM1.06	1	20100042	Filter housing
***	BM1.08	1	20100043	Filter housing
***	BM1.10	1	20100004	Filter housing
***	BM1.12	1	20100073	Filter housing
***	BM1.16	1	20100076	Filter housing
***	BM1.20	1	20100039	Filter housing
11	1.06	4	015001	Flap
11	1.08	4	015002	Flap
11	1.10	4	015003	Flap
11	1.12	4	015004	Flap
11	1.16	4	015005	Flap
11	1.20	8	015002	Flap
11	2.10	4	015363	Flap
11	2.14	4	015007	Flap
12		x	055611	Screw M6
12A		x	057603	Washer
13	C/CM	1*	034787	Fat filter
13A**	B/BM	1*	037460	Fat filter
14		2	037781	Stop plate
14A		2	032562	Stop plate
15		2	30500174	Washer
16		2	056500	Nut
16A		2	057501	Washer, spring
17		3*	058031	Snap screw
18		3*	058033	Retainer
19	Option	1	038162	Repair kit for pins for filter housing
20		1	038547	RPM Sensor



* number x 2 on model 1.20

** 13A – Obsolete as of 1st July 2001

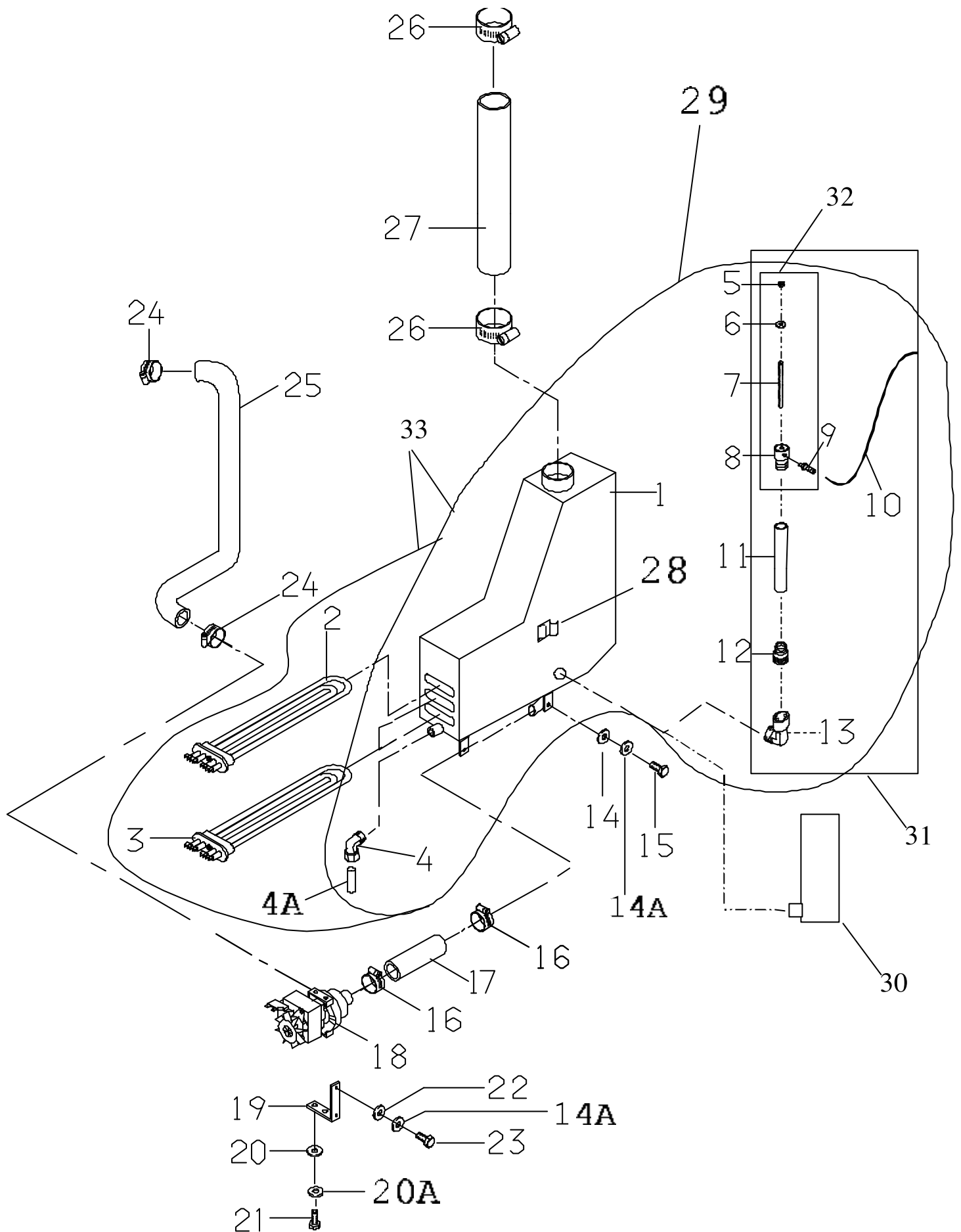
*** See illus. page 65 – 66



Generator 1.06 – 1.12

P	TYPE	QTY	PART NO	DESCRIPTION
1		1	033202	Container
2	3 x200	1	032464	Heating element with
	3 x230		031917	sensor 5 KW
	3x240		041020	
	3 x400+N		031917	
	3 x400		031917	
	3 x415+N		041020	
	3 x440		032364	
	3 x480		038430	
3	3 x200	2	072442	Heating element
	3 x230		072415	5 KW .
	3 x240		072788	
	3 x400+N		072415	
	3 x400		072415	
	3 x415+N		072788	
	3 x440		072431	
	3 x480		072786	
4		1	059130	Coupling, elbow
4A		1	051030	Copper tube
5		1	056500	Nut
6		1	057500	Washer
7		1	013515	Level bar
8		1	013481	Stopper for level sensor
9		1	059139	Hose nipple
10		1	059005	Hose
11		1	070109	Hose for level
12		1	059138	Hose nipple
13		1	059009	Coupling, elbow
14		2	057500	Washer
14A		4	057501	Washer, spring
15		2	055512	Screw
16		2	058656	Clip
17		1	012395	Hose for pump
18		1	060001	Drain pump
19		1	012382	Holder for pump
20		2	057600	Washer
20A		2	057601	Washer, spring
21		2	055612	Screw
22		2	057500	Washer
23		2	055512	Screw
24		2	058656	Clip
25		1	014073	Hose for drain
26		2	058664	Clip
27	1.06	1	059028	Hose for steam
27	1.08	1	059028	Hose for steam
27	1.10	1	059028	Hose for steam
27	1.12	1	059028	Hose for steam
28		1	013483	Bracket for hose
29*		1	033201	Steam generator
30	Option	1	037336	Level sensor with float
31		1	034953	Level sensor, set
32		1	033504	Sensor for steam generator
33	3 x 200V	1	040174	Steam generator assy
33	3 x 230-415 + N	1	040175	Steam generator assy
33	3 x 440	1	040176	Steam generator assy
33	3 x 480	1	040376	Steam generator assy
			054248	Insulation, steam generator

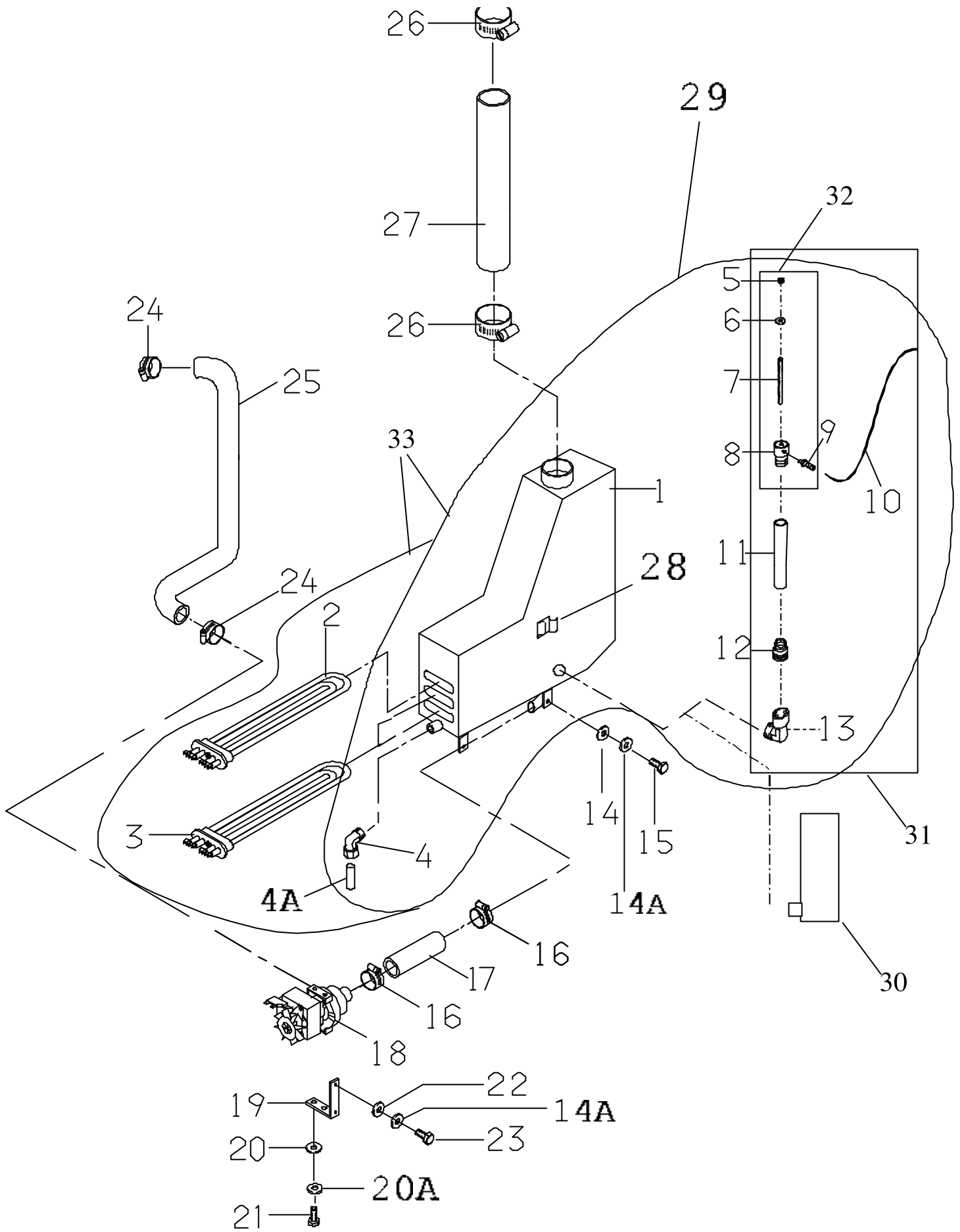
*Without heating elements



Generator 1.16

P	TYPE	QTY	PART NO	DESCRIPTION
1		1	033202	Container
2	3 x200	1	032473	Heating element
	3 x230		032011	with sensor 6 KW.
	3 x240		041019	
	3 x400+N		032011	
	3 x 400		032011	
	3 x415+N		041019	
	3 x440		032365	
3	3 x200	2	072445	Heating element
	3 x230		072419	6 KW.
	3 x240		072790	
	3 x400+N		072419	
	3 x 400		072419	
	3 x415+N		072790	
	3 x440		072433	
4		1	059130	Coupling, elbow
4A		1	051030	Copper tube
5		1	056500	Nut
6		1	057500	Washer
7		1	013515	Level bar
8		1	013481	Stopper for level sensor
9		1	059139	Hose nipple
10		1	059005	Hose
11		1	070109	Hose for level
12		1	059138	Hose nipple
13		1	059009	Coupling, elbow
14		2	057500	Washer
14A		1	057501	Washer, spring
15		2	055512	Screw
16		2	058656	Clip
17		1	012395	Hose for pump
18		1	060001	Drain pump
19		1	012382	Holder for pump
20		2	057600	Washer
20A		2	057601	Washer, spring
21		2	055612	Screw
22		2	057500	Washer
23		2	055512	Screw
24		2	058656	Clip
25		1	014073	Hose for drain
26		2	058664	Clip
27	1.16	1	059028	Hose for steam
28		1	013483	Clamp for hose
29*		1	033201	Steam generator
30	Option	1	037336	Level sensor with float
31		1	034953	Level sensor, set
32		1	033504	Sensor for steam generator
33	3 x 200V	1	040177	Steam generator assy
33	3 x 230-415 + N	1	040178	Steam generator assy
33	3 x 440	1	040179	Steam generator assy
		1	054248	Insulation, steam generator

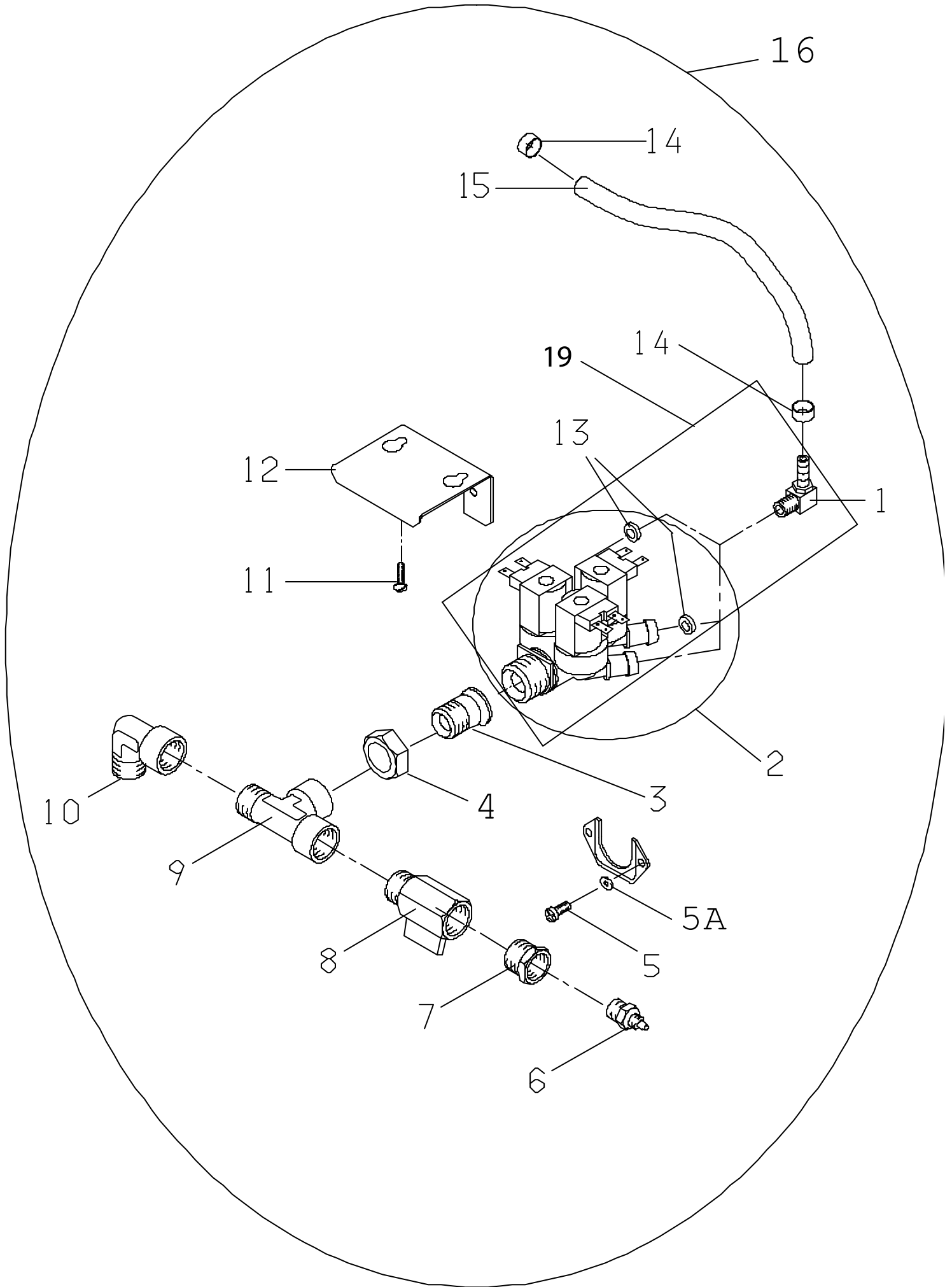
* Without heating elements



Generator 1.20, 2.10-2.14

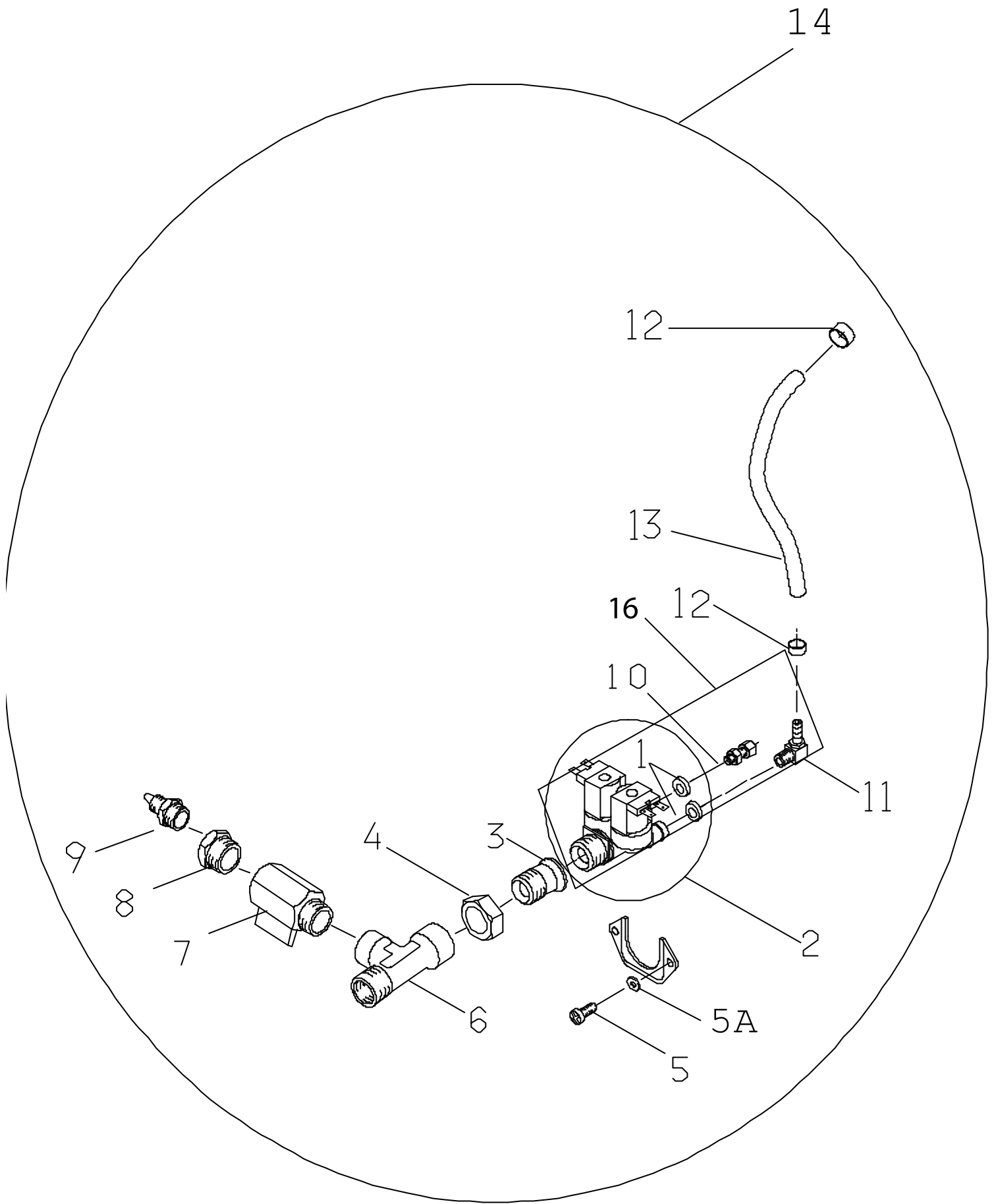
P	TYPE	QTY	PART NO	DESCRIPTION
1		1	033.200	Container
2	3 x200	1	032463	Heating element
	3 x230		032062	with sensor 8 KW.
	3 x240		038934	
	3 x400+N		032062	
	3 x 400		032062	
	3 x415+N		038934	
	3 x440		032366	
3	3 x200	2	072440	Heating element
	3 x230		072422	8 KW.
	3x240		072792	
	3 x400+N		072422	
	3 x 400		072422	
	3 x415+N		072792	
	3 x440		072435	
4		1	059130	Coupling, elbow
4A		1	051030	Copper tube
5		1	056500	Nut
6		1	057500	Washer
7		1	013515	Level bar
8		1	013481	Stopper for level sensor
9		1	059139	Hose nipple
10		1	059005	Hose
11		1	070109	Hose for level
12		1	059138	Hose nipple
13		1	059009	Coupling, elbow
14		2	057500	Washer
14A		2	057501	Washer, spring
15		2	055512	Screw
16		2	058656	Clip
17		1	012395	Hose for pump
18		1	060001	Drain pump
19		1	012382	Holder for pump
20		2	057600	Washer
20A		2	057601	Washer, spring
21		2	055612	Screw
22		2	057500	Washer
23		2	055512	Screw
24		2	058656	Clip
25		1	014073	Hose for drain
26		1	058664	Clip
27	1.20	1	059028	Hose for steam
27	2.10	1	059028	Hose for steam
27	2.14	1	059028	Hose for steam
28		1	013483	Clamp for hose
29*		1	033250	Steam generator
30	Option	1	037336	Level sensor with float
31		1	034953	Level sensor, set
32		1	033504	Sensor for steam generator
33	3 x 200V	1	040180	Steam generator assy
33	3 x 230-415 + N	1	040181	Steam generator assy
33	3 x 440 V	1	040182	Steam generator assy
33	3 x 208 V	1	040356	Steam generator assy
			054248	Insulation, steam generator

* Without heating elements



Solenoid Valve CM

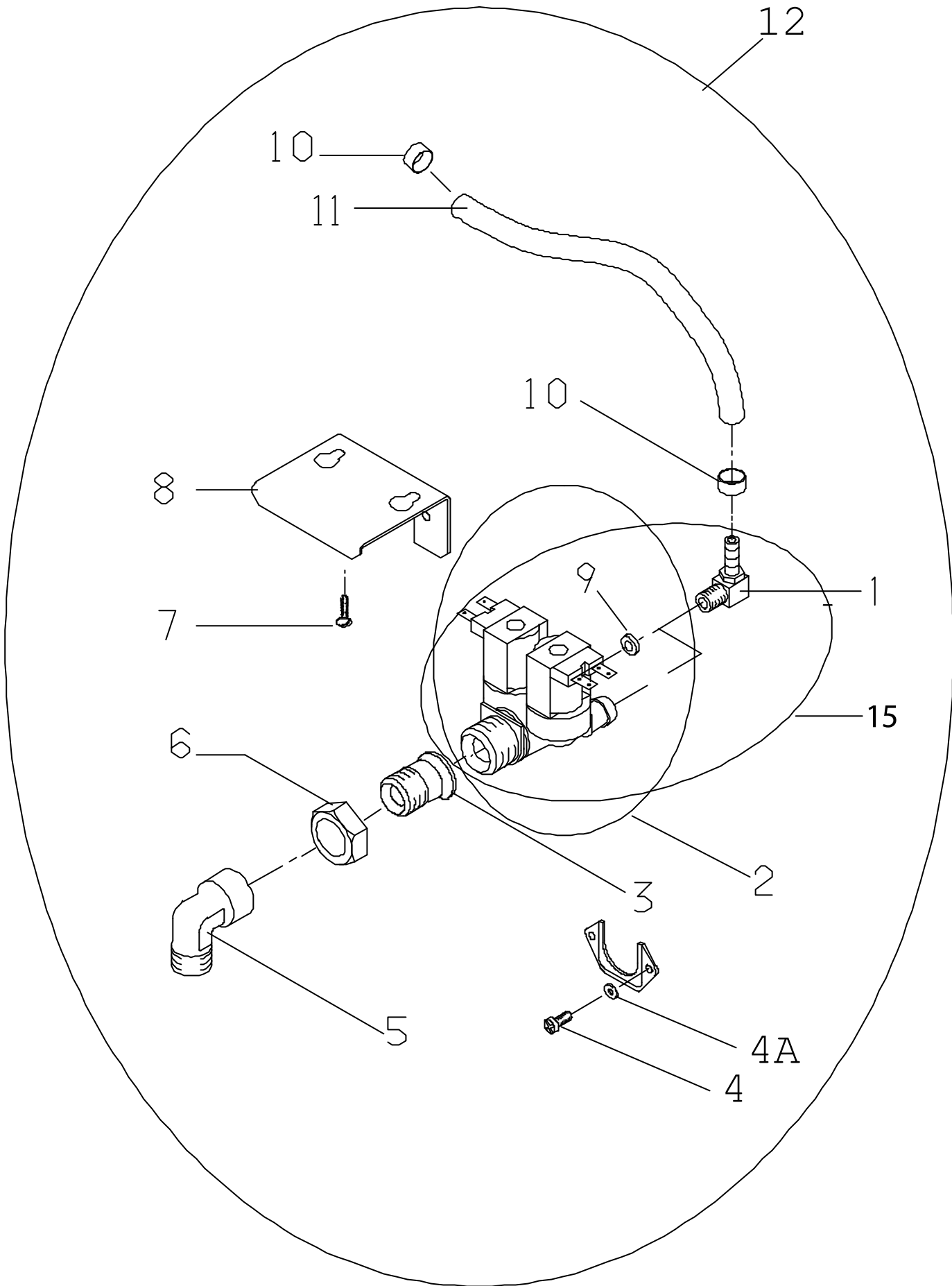
P	TYPE	QTY	PART NO	DESCRIPTION
1		3	059134	Nipple, elbow
2		1	032111	Solenoid valve 3-way
3+4		1	059315	Connection
5		2	055407	Screw M4
5A		2	057400	Washer
6		1	059304	Nipple
7		1	059129	Reducing nipple
8		1	059125	Ball valve
9		1	059124	T-connector
10		1	059009	Elbow
11		2	055511	Screw M5
12		1	012226	Bracket
13*		2	071128	Divider 1,2 L
14		6	058654	Clip
15		1.5 m	070118	Hose
16		1	032037	Solenoid valve, 3-way, 24 V, CM(C), assy
17**	Option	1	032112	Solenoid valve, 2-way with one 1.2 L
18**	Option	1	032109	Solenoid valve, 1-way with one 1.2 l
19		1	041081	Solenoid valve 032111 incl. nipples and limiters
*				Nozzle and cooling
**				Solenoid valves with double water connection



Solenoid Valve CV

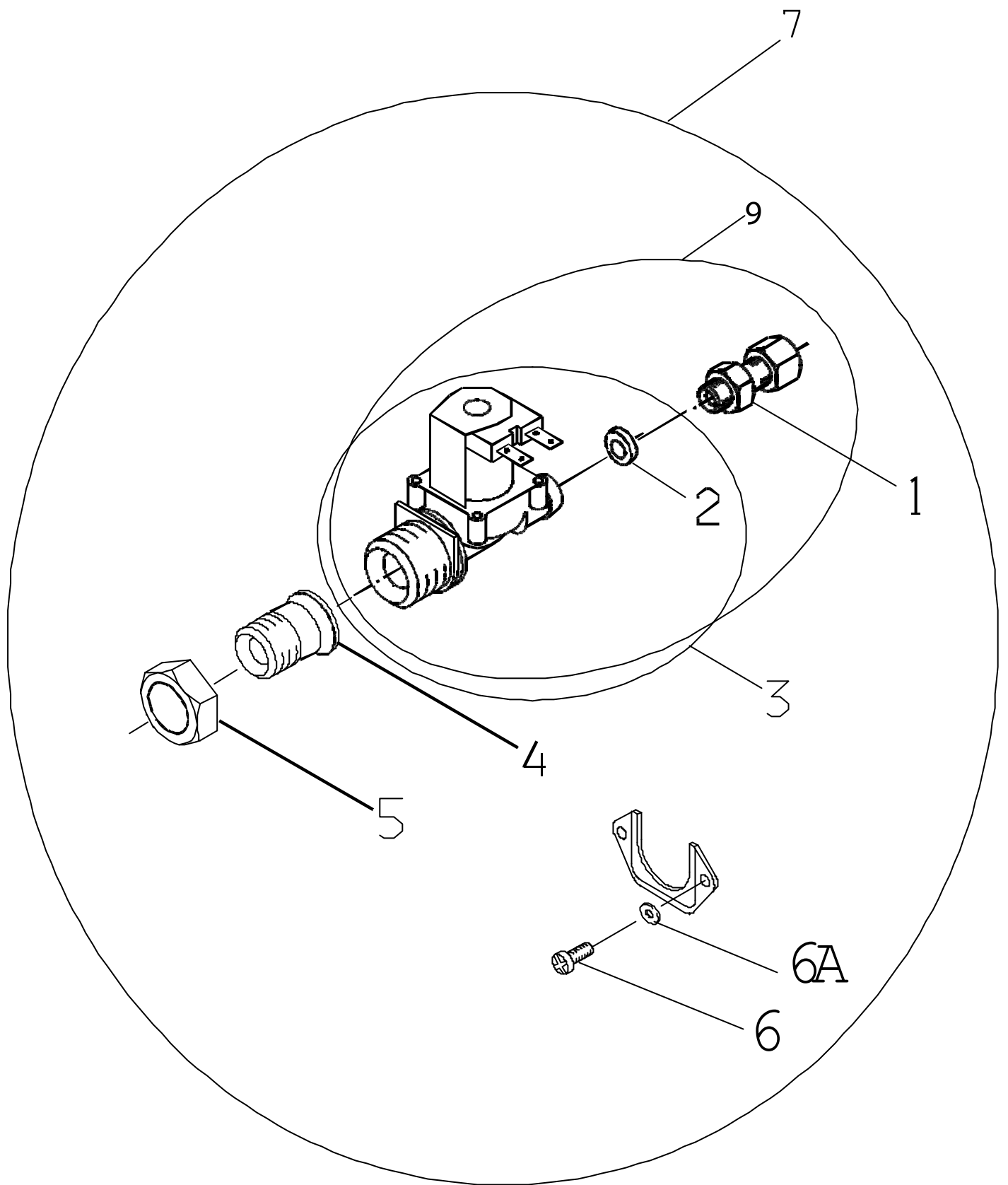
P	TYPE	QTY	PART NO	DESCRIPTION
1*		2	071128	Divider 1,2 L
2		1	032110	Solenoid valve, 2 way
3+4		1	059315	Connection
5		2	055407	Screw M4
5A		2	057400	Washer
6		1	059124	T-connector
7		1	059125	Ball valve
8		1	059129	Reducing
9		1	059304	Nipple
10		1	059101	Nipple
11		1	059134	Nipple, elbow
12		2	058654	Clamp
13		1,5m	070118	Hose
14		1	032049	Solenoid valve, 2-way, 24 V, CV(C), assy
15**	Option	2	032109	Solenoid valve, 1-way with 1 1.2 L limiter
16		1	041082	Solenoid valve 032110 incl. nipples and limiters
*				Nozzle and cooling
**				Solenoid valves with double water connection





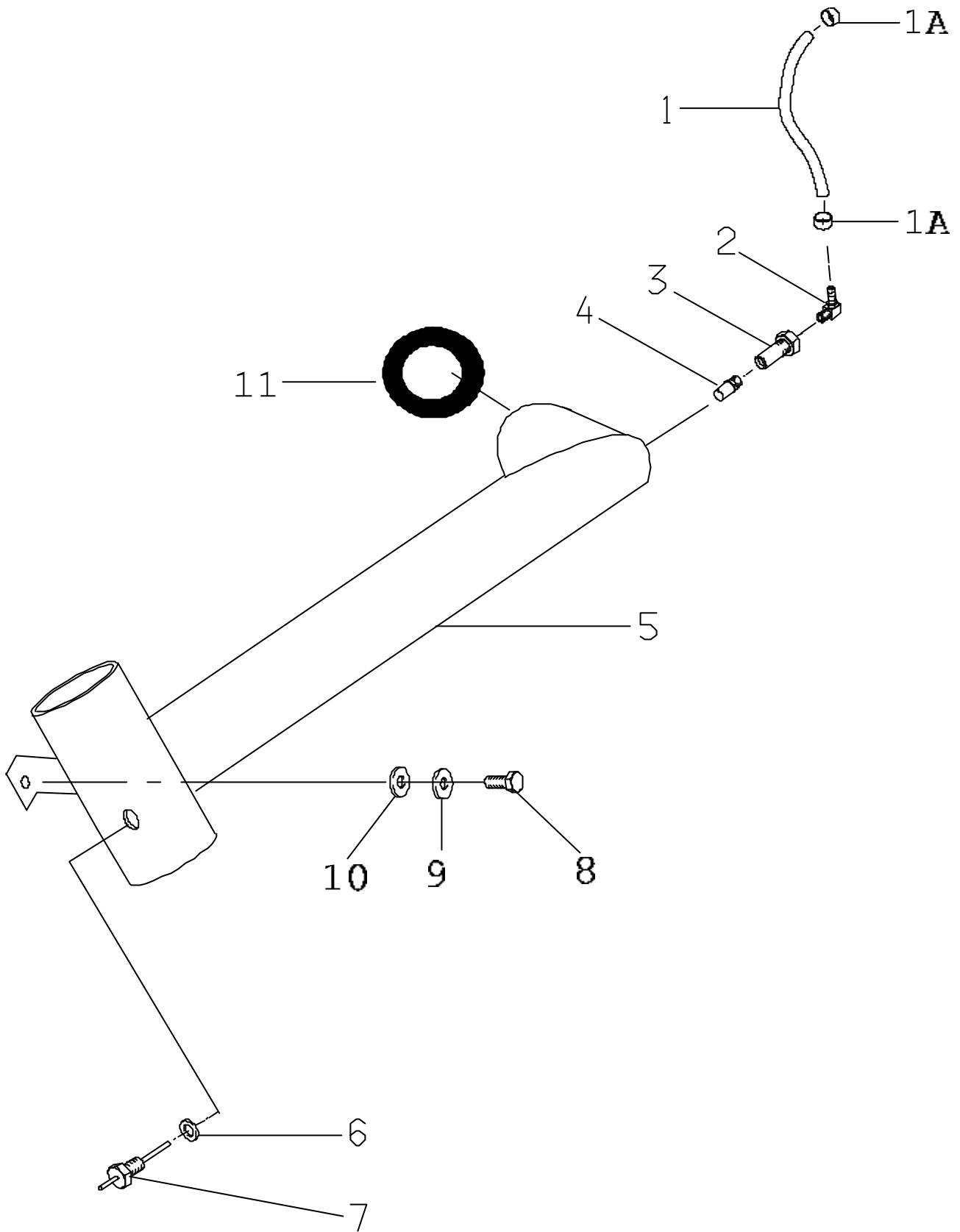
Solenoid Valve M/ST

P	TYPE	QTY	PART NO	DESCRIPTION
1		2	059134	Nipple, elbow
2		1	032112	Solenoid valve, 2-way
3+6		1	059315	Connection
4		2	055407	Screw M4
4A		2	057400	Washer
5		1	059009	Elbow
7		2	055511	Screw M5
8		1	012226	Bracket
9*		1	071128	Divider 1.2 L
10		4	058654	Clip
11		1,5m	070118	Hose
12		1	032050	Solenoid valve, 2-way, 24 V, M/ST, komplett
13**	Option	1	071107	Solenoid valve, 1-way
14**	Option	1	032109	Solenoid valve, 1-way with 1 1.2 l
15		1	041083	Solenoid valve 032112 incl. nipples and
**				Solenoid valves with double water connection
*				Cooling



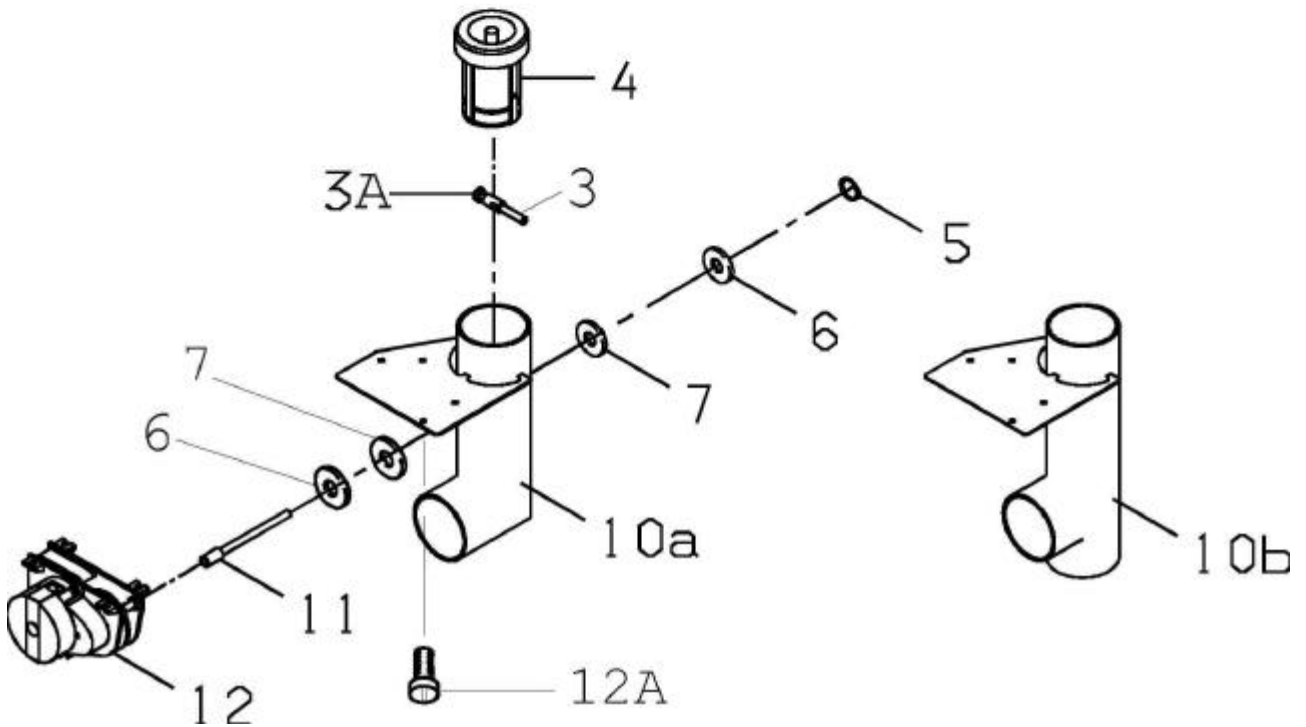
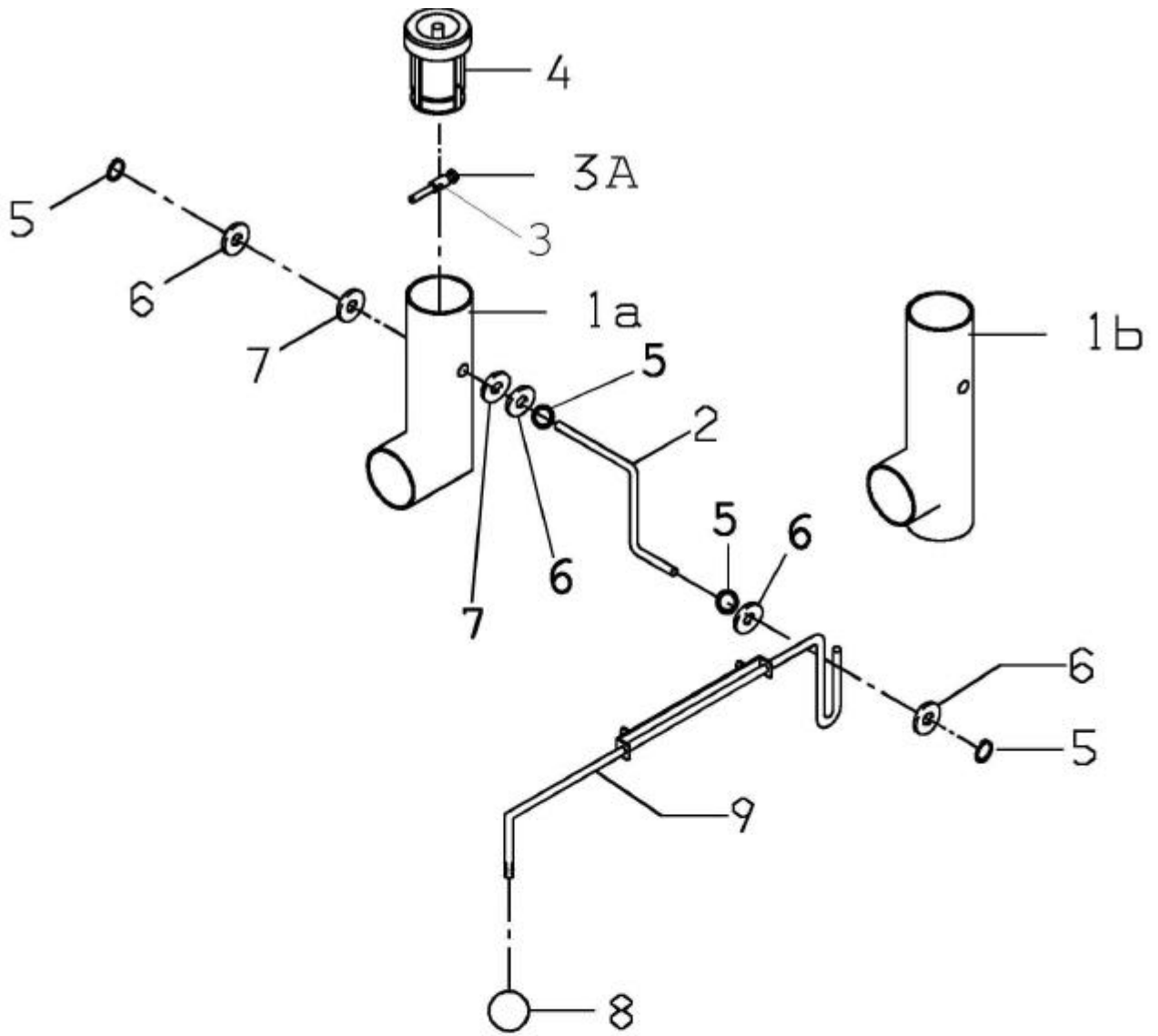
Solenoid Valve BM/B

P	TYPE	QTY	PART NO	DESCRIPTION
1		1	059101	Nipple
2		1	071125	Divider 0,5L
3		1	034149	Solenoid Valve 1 ways
4+5		1	059315	Connection
6		2	055407	Screw M4
6A		2	057400	Washer
7		1	032051	Solenoid valve, 1- way, 24 V, B/BM, assy
8	Sambyg m. RM	1	037071	Solenoid valve, 2 way, 24 + 230 VAC
9		1	041084	Solenoid valve 034149 incl. nipple and



Condensation

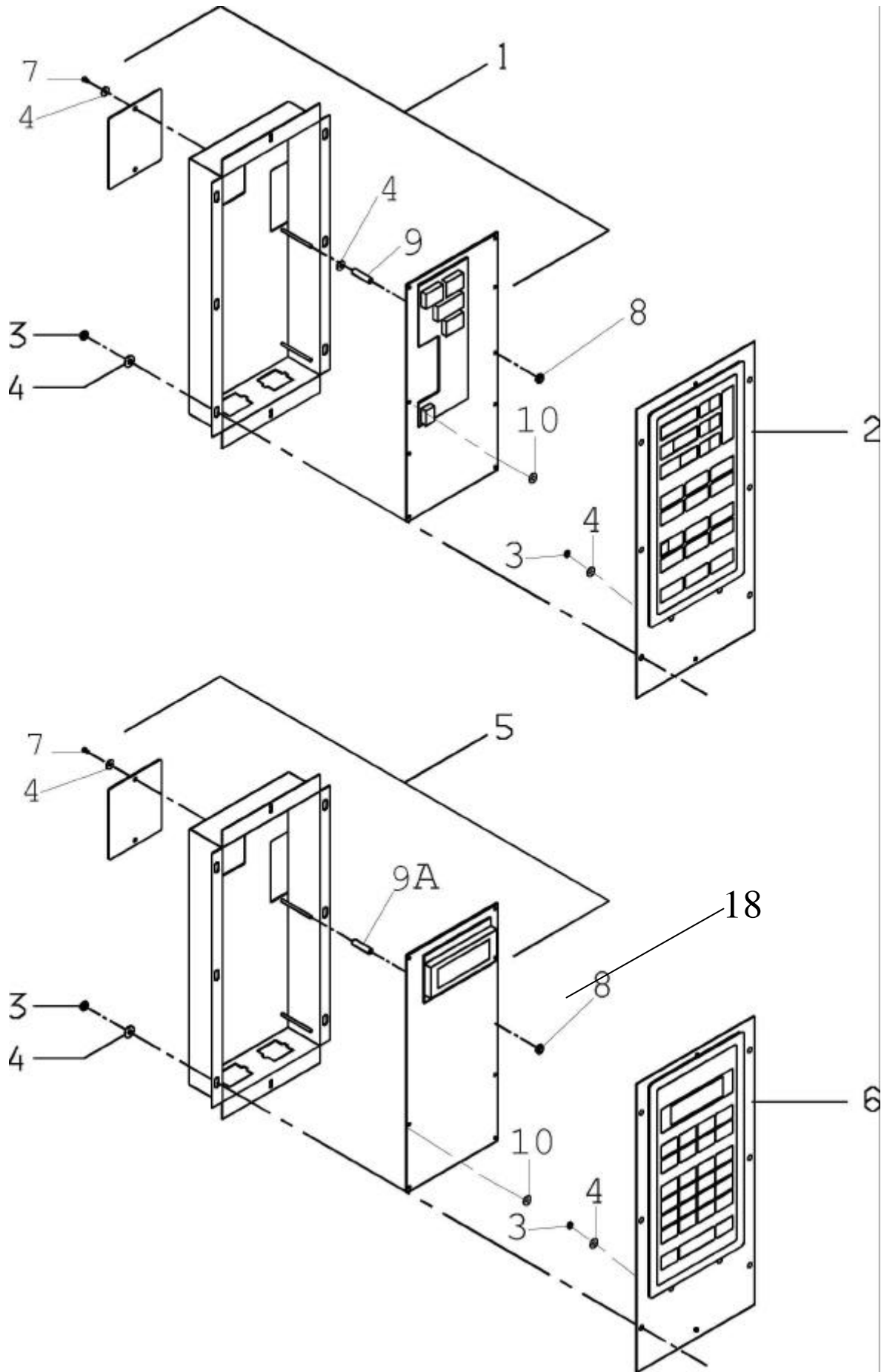
P	TYPE	QTY	PART NO	DESCRIPTION
1		1,5m	070118	Hose
1A		2	058654	Clamp
2		1	059134	Nipple, Elbow
3		1	014170	Extension tube
4		1	059216	Nozzle
5	1.06-1.20	1	037072	Manifold
5	2.10-2.14	1	034409	Manifold
6		1	057801	Washer
7		1	062541	Temperature sensor
8		1	055956	Screw
9		1	057501	Washer, spring
10		1	30500174	Washer
11		1	058667	O ring



Exhaust

P	TYPE	QTY	PART NO	DESCRIPTION
1A	DV/B	1	033343	Tube for damper
1B	M / DM	1	033344	Tube for damper
2		1	012935	Bar
3		1	012306	Arm
3A		1	055506	Screw
4		1	032480	Valve
5		2	058701	Locking ring
6		4	057503	Washer M5
7		2	069523	Gasket
8		1	069104	Knob, ball Ø20
9		1	032424	Bar 1/1 GN
9		1	032563	Bar 2/1 GN
10A	CV/BM	1	033342	Tube for damper
10B	CM	1	033337	Tube for damper
11		1	033338	Shaft
12		1	060230	Damper motor
12A		2	055405	Screw

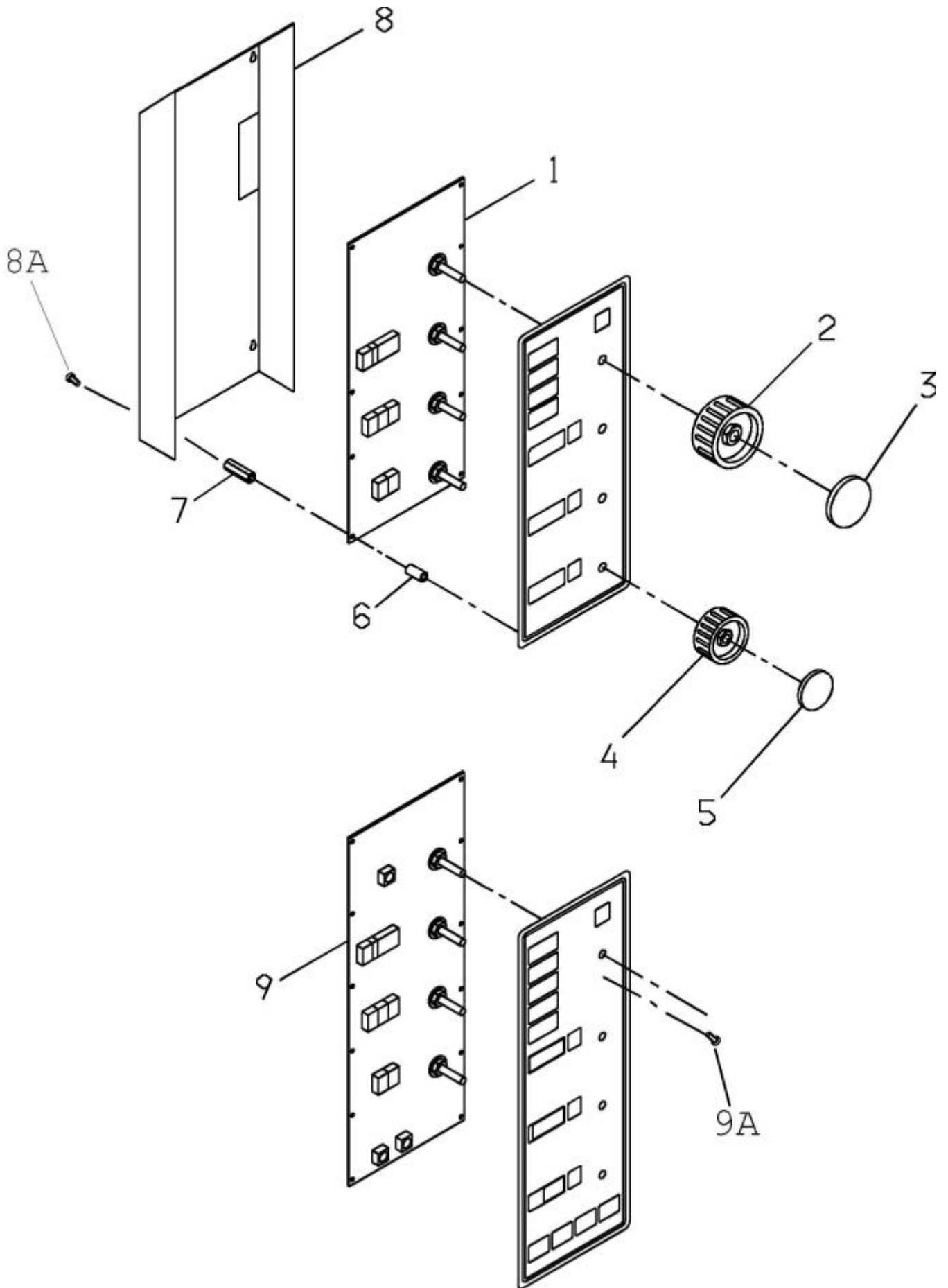




Computer type I and II

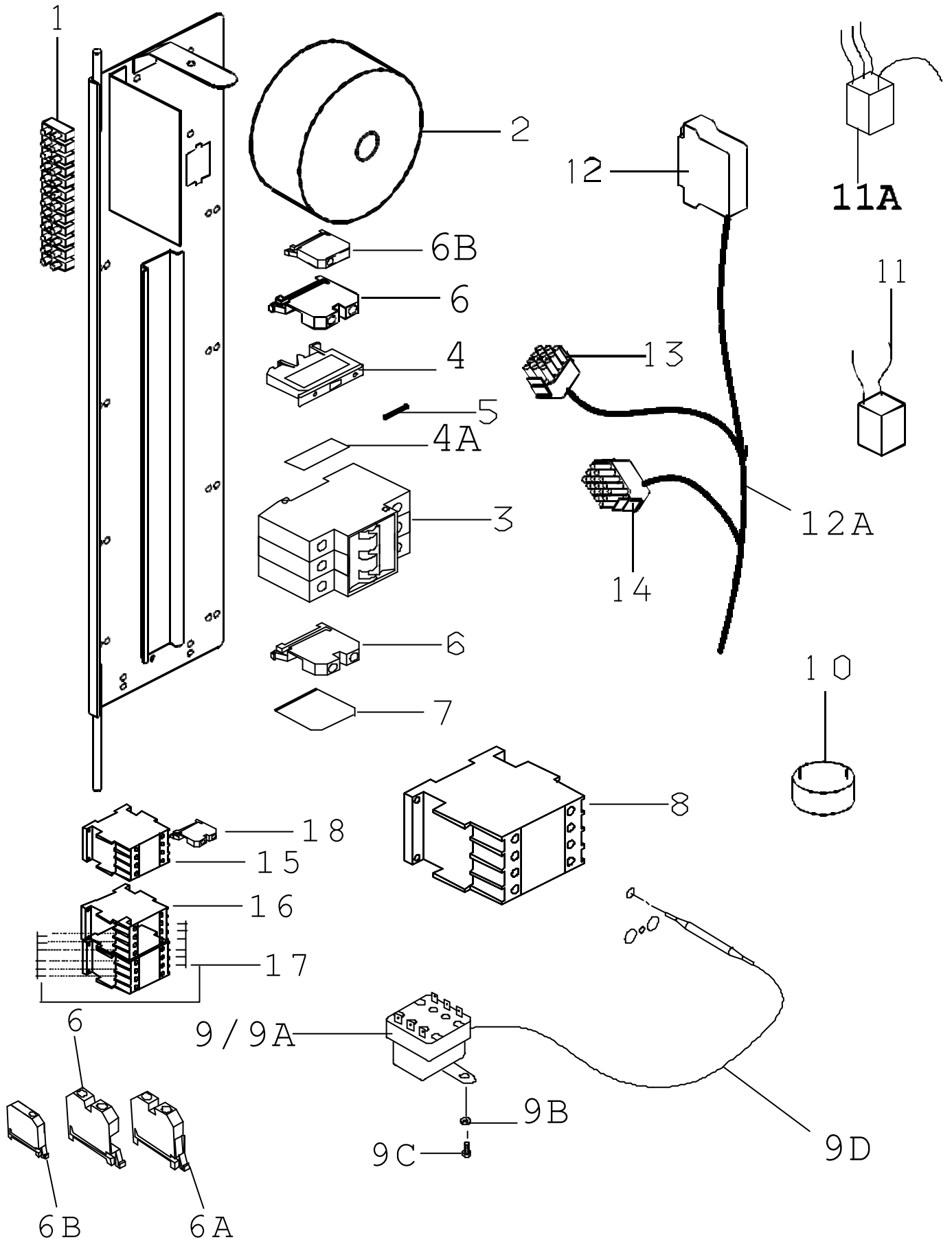
P	TYPE	QTY	PART NO	DESCRIPTION
1	CV-CM-BM-ST	1	033938	Computer
1	CV-CM-BM-ST	1	033939	Computer with CombiClean
2	CM	1	031907	Touch panel green
2	CM	1	031912	Touch panel blue
2	CM	1	032376	Touch panel black
2	CM	1	041021	Touch panel charcoal grey
2	CV	1	031906	Touch panel green
2	CV	1	031911	Touch panel blue
2	CV	1	032375	Touch panel black
2	CV	1	041022	Touch panel charcoal grey
2	ST	1	031908	Touch panel green
2	ST	1	031913	Touch panel blue
2	ST	1	032377	Touch panel black
2	BM	1	032871	Touch panel grey
3		10	056602	Nut, plastic M3
4		10	057502	Washer M3
5	CMC-CVC	1	033941	Computer
5	CombiClean	1	033952	Computer for CC
5	CMC-CVC	1	033936	Computer UL/CSA
5	VS	1	040765	Computer
5	S	1	041064	Computer
6	CMC	1	031865	Touch panel green
6	CMC	1	031915	Touch panel blue
6	CMC	1	032379	Touch panel black
6	CMC	1	041023	Touch panel charcoal grey
6	CVC	1	031909	Touch panel green
6	CVC	1	031914	Touch panel blue
6	CVC	1	033977	Touch panel black BKI
6	CVC	1	041024	Touch panel charcoal grey
6	VS	1	041048	Touch panel
6	S	1	041047	Touch panel
7		2	055306	Screw
8		6	056002	Self-locking nut
9	CM/CV/ST/BM	6	067004	Spacer
9A	CMC/CVC	6	056011	Spacer
10		1	057410	Washer, fibre
11	CM/CV/ST/BM	1	062684	EPROM
12	CV-gas	1	062671	EPROM
13	CMC/CVC	1	062680	EPROM
14	CVC gas	1	062674	EPROM
15	CMC/CVC	1	062681	DataEPROM
16	CM/CV/ST/BM	1	062676	NOVRAM
17	CMC/CVC	1	062679	NOVRAM
18	CMC/CVC	1	062700	LCD display





Computer type III og IV / Computer typ III och IV

P	TYPE	QTY	PART NO	DK BESKRIVELSE	GB DESCRIPTION	D BESCHREIBUNG	S BESKRIVNING
1	M	1	033907	Computer		Computer	Computer
2		1	069113	Knap Ø36		Knopf Ø36	Vred Ø36
3		1	069116	Cap Ø36, Blå		Cap Ø36, blau	Lock Ø36 blå
3		1	069118	Cap Ø36, Sort		Cap Ø36, schwarz	Lock Ø36 svart
4		1	069112	Knap Ø28		Knopf Ø28	Vred Ø28
5		1	069115	Cap Ø28, Blå		Cap Ø28, blau	Lock Ø28 blå
5		1	069117	Cap Ø28, Sort		Cap Ø28, schwarz	Lock Ø28 svart
6		6	056009	Afstandsstykke		Distanzstücke	Distanshylsa
7		6	056013	Møtrik M3		Mutter M3	Mutter M3
8		1	013256	Afdækningsplade		Abdeckplatte	Täckplåt
8A		4	055316	Skrue		Schraube	Skruv
9	B-DM- DV-DG	1	033908	Computer		Computer	Computer
9A	B	1	055503	Skrue		Schraube	Skruv
10	B	1	062666	EPROM		EPROM	EPROM
11	DM	1	062669	EPROM		EPROM	EPROM
12	DV	1	062670	EPROM		EPROM	EPROM
13	M	1	062667	EPROM		EPROM	EPROM
14	M-L	1	062668	EPROM		EPROM	EPROM
15	M-F	1	062682	EPROM		EPROM	EPROM
16	M-FL	1	062683	EPROM		EPROM	EPROM
17	DG gas	1	062672	EPROM		EPROM	EPROM
18	CV-gas	1	062671	EPROM		EPROM	EPROM

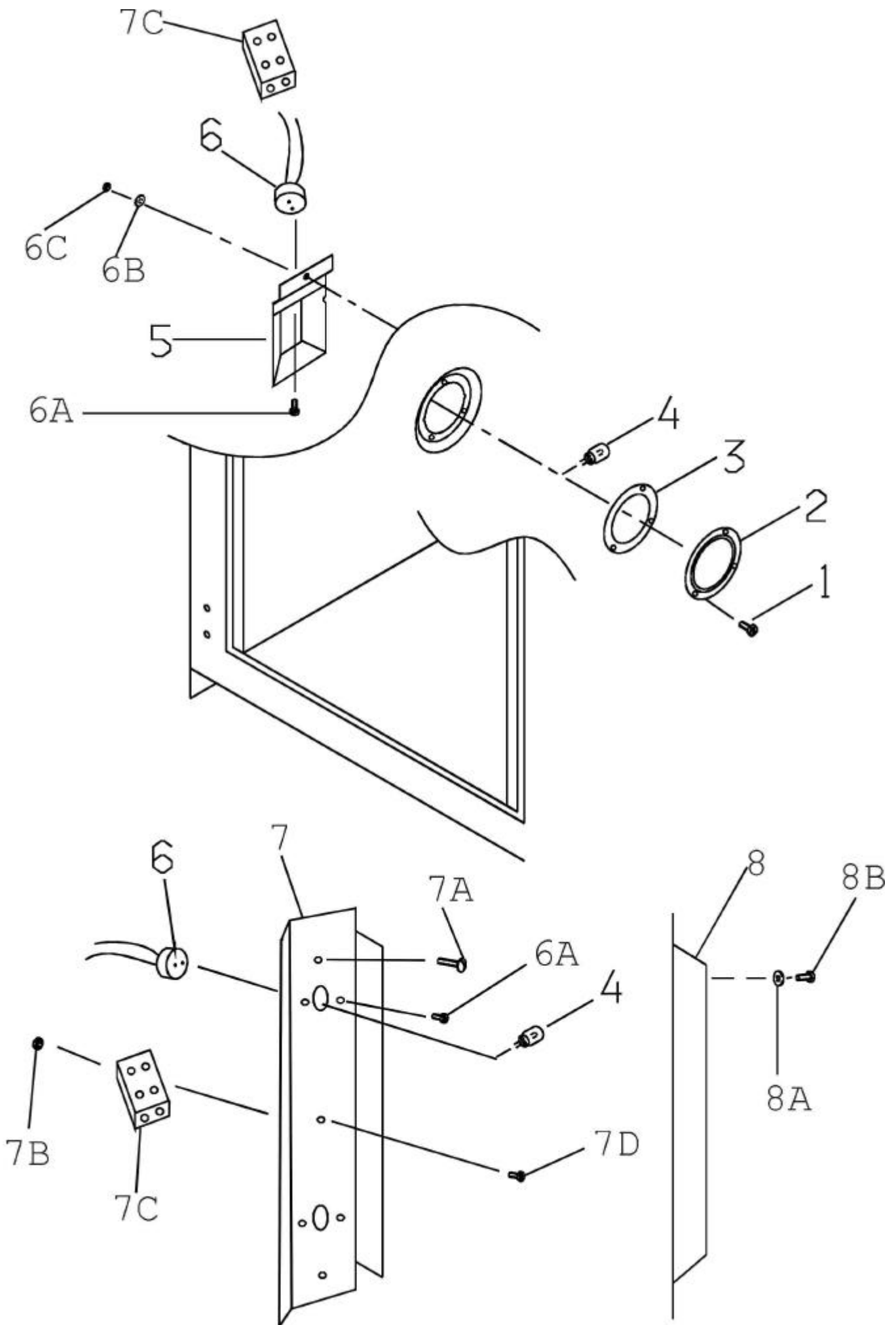


Wiring Harness

P	TYPE	QTY	PART NO	DESCRIPTION
1		1	063002	Terminal strip
1A		x	063001	Terminal block
2		1	061322	Transformer
3		1	061410	Fuse
3	Reversing	1	061407	Fuse
4		3	063715	Fuse clamp
4A		1	063716	Plate
5		1	061405	Fuse 2A
5		1	061400	Fuse 0.5A
5		1	061404	Fuse 8A
6		x	063701	Terminal strip
6A		1	063705	Earth terminal
6B		2	063717	Stop
7		1	063704	Plate
3 x 200V				
8	1.06	x	061246	Contactor
8	1.08-1.12	x	061248	Contactor
8	1.16	x	061247	Contactor
8	2.10-2.14	x	061256	Contactor
3 x 230V				
8	1.06	x	061246	Contactor
8	1.08-1.12	x	061248	Contactor
8	1.16	x	061247	Contactor
8	1.20	x	061247	Contactor
8	1.20	x	061256	Contactor
8	2.10-2.14	x	061247	Contactor
3x400V+N / 3x415V+N				
8	1.06	x	061246	Contactor
8	1.08-1.12	x	061246	Contactor
8	1.16	x	061246	Contactor
8	1.20	x	061248	Contactor
8	1.20	x	061247	Contactor
8	2.10-2.14	x	061248	Contactor
3x440V				
8	1.06	x	061246	Contactor
8	1.08-1.12	x	061246	Contactor
8	1.16	x	061246	Contactor
8	1.20	x	061248	Contactor
8	1.20	x	061247	Contactor
8	2.10-2.14	x	061248	Contactor
9*		1	062550	Temp. circuit break
9B		2	057400	Washer
9C		2	055406	Screw
9D		2m	059001	Flex hose, black
10		1	037743	Buzzer
11		1	032673	RC block
11A	3x400V+N/ 3x415V+N	1	033765	Condenser
12		1	031918	Socket 37 pol
12A		3m	067882	Protective coil
13	Not M	1	031919	Socket 12 pol
14		1	031920	Socket 15 pol
15	CV/CM/BM/ST/ CVC/CMC	1	061624	Contactor, high/low speed reversing
16	CV/CM/BM/ST/ CVC/CMC	1	061625	Contactor, reversing
17	CV/CM/BM/ST/ CVC/CMC	1	061627	Joint, set reversing
18	CV/CM/BM/ST/ CVC/CMC	4	061626	Auxiliary contact, reversing

* 2 pcs on size 1.20

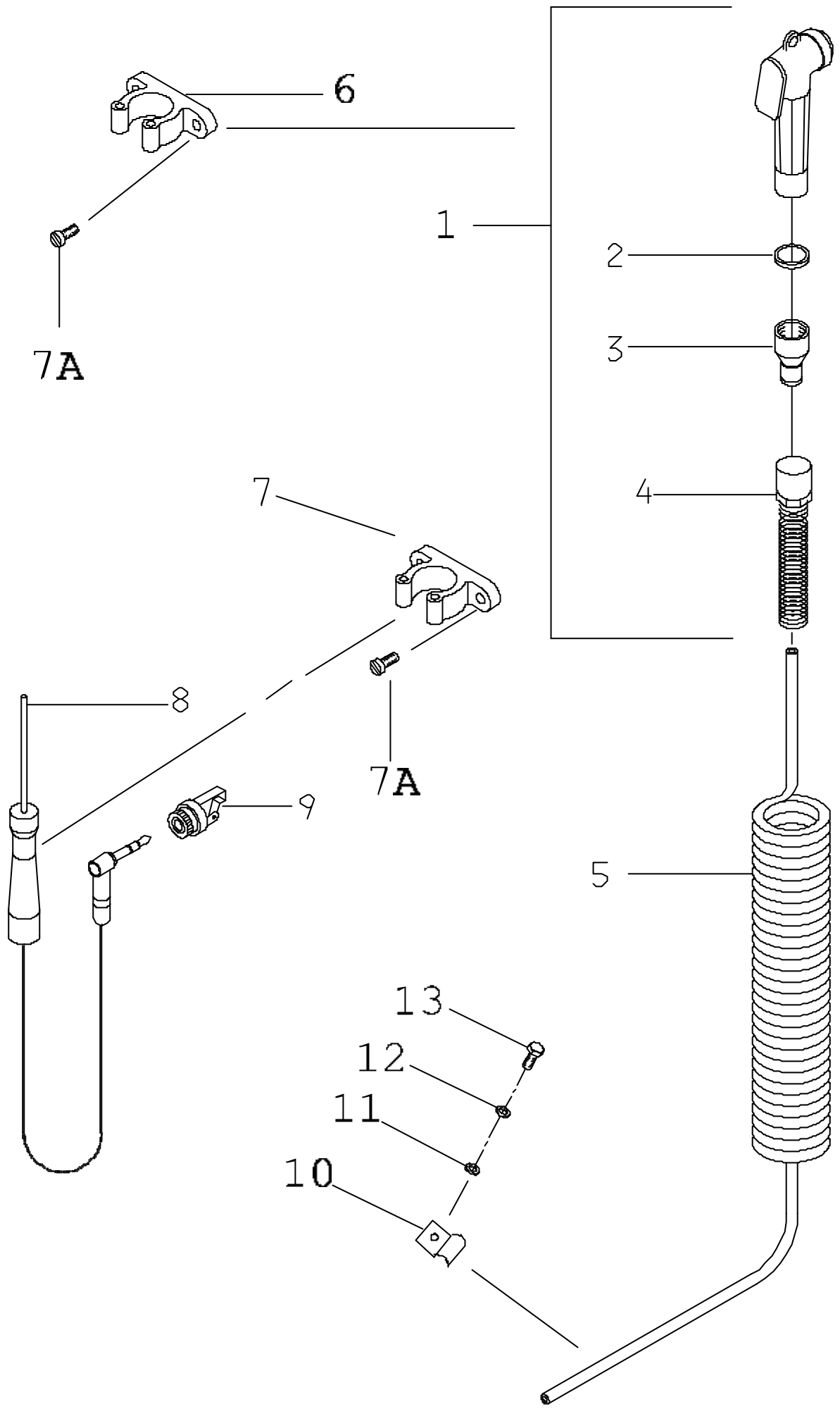




Interior Light

P	TYPE	QTY	PART NO	DESCRIPTION
1		x	055412	Screw
2		x	037519	Lamp glass complete
3		x	014575	Gasket
4		x	065012	Halogen lamp
5		x	014634	Lamp housing
6		x	066019	Socket
6A		x	055306	Screw
6B		1	057503	Washer
6C		1	056500	Nut
7	B/BM 1.06	1	015037	Plate halogen lamp 1
7	B/BM 1.08	1	015039	Plate halogen lamp 1
7	B/BM 1.10/2.10	1	015041	Plate halogen lamp 1
7	B/BM 1.12	1	015046	Plate halogen lamp 1
7	B/BM 1.20	1	015625	Plate halogen lamp 1
7	B/BM 1.16	1	015050	Plate halogen lamp 1
7	B/BM 2.14	1	015048	Plate halogen lamp 1
7A	B/BM	2	055114	Screw
7B	B/BM	x	056007	Nut
7C		x	067400	Porcelain connector
7D	B/BM	x	055316	Screw
8	B/BM 1.06	1	015038	Plate halogen lamp 2
8	B/BM 1.08	1	015040	Plate halogen lamp 2
8	B/BM 1.10/2.10	1	015042	Plate halogen lamp 2
8	B/BM 1.12	1	015047	Plate halogen lamp 2
8	B/BM 1.16	1	015051	Plate halogen lamp 2
8	B/BM 1.20	1	015626	Plate halogen lamp 2
8	B/BM 2.14	1	015049	Plate halogen lamp 2
8A	B/BM	2	057501	Washer, spring
8B	B/BM	2	30500174	Screw

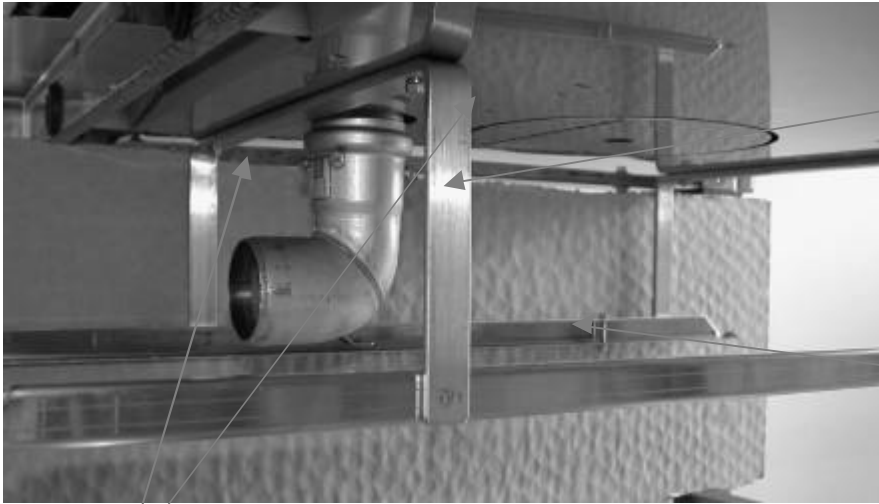




Hand Shower and Probe

P	TYPE	QTY	PART NO	DESCRIPTION
1		1	041063	Hand shower kpl.
2		1	070122	Gasket
3		1	012865	Connection
4		2	040490	Spring + union nut
5		1	059013	Hose
6		2	069511	Clamp plastic
7		1	069513	Terminal, plastic
7A		6	055412	Screw
8		1	062907	Probe, core temp.
9		1	067889	Socket
10	CV	1	014249	Bracket for hose
11	CV	1	055956	Screw, M5
12	CV	1	057501	Washer
13	CV	1	30500174	Spring washer
	Option	1	032711	Rebuild kit, core temperature probe





1

2

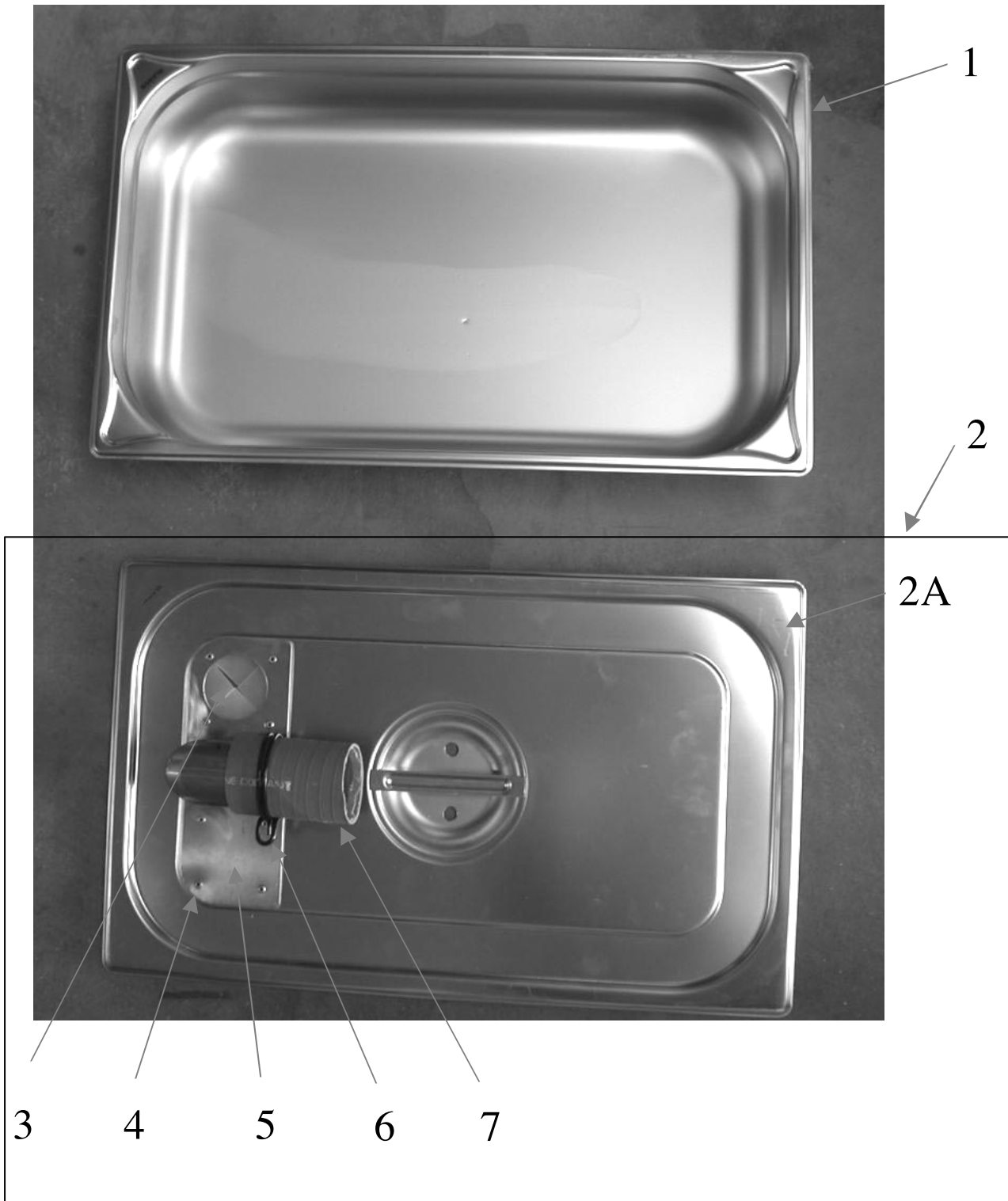
3 + 4



5

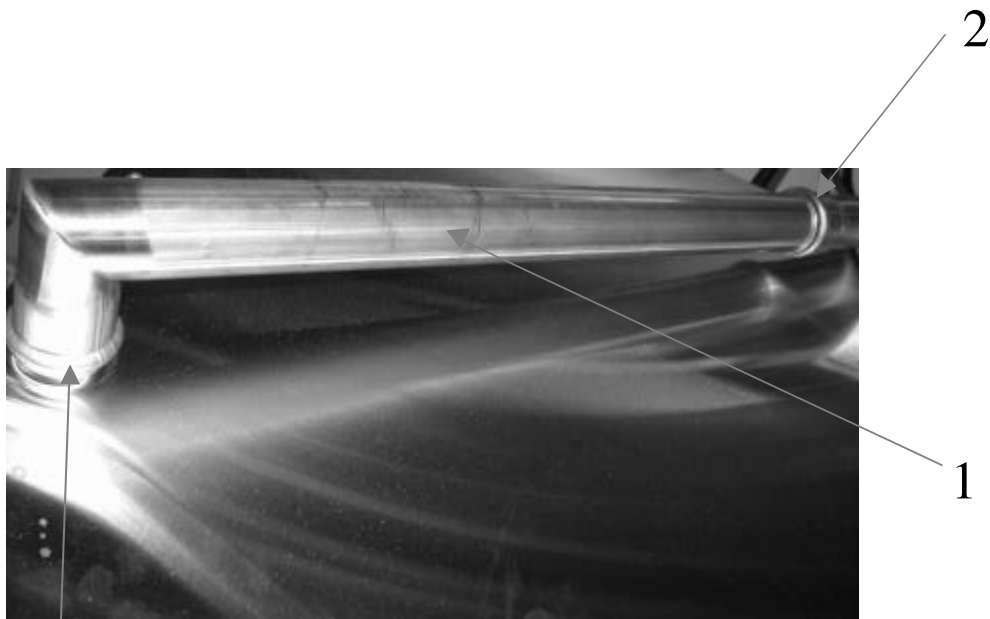
BKI/UK - Fat drain

P	TYPE	QTY	PART NO	DESCRIPTION
1	Alle/All	1	016510	Bend, 90°
2		1	038723	Suspension, fat tray
3		4	055510	Screw
4		4	057501	Washer
5	ASDA	1	038861	Tube

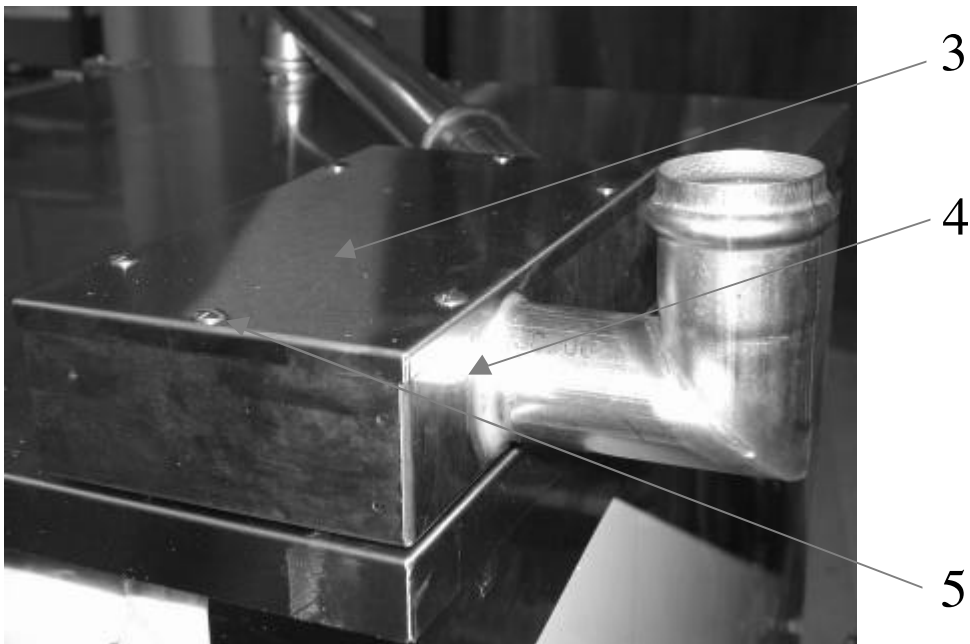


Fat drain

P	TYPE	QTY	PART NO	DESCRIPTION
1	GB	1	045476	Container, 100 mm
1	S	1	045479	Container, 150 mm
2		1	30510038	Lid assy
2A		1	016212	Lid
3		1	016649	Seal
4		8	058050	Pop rivet
5		1	038609	Plate with elbow
6		1	058683	Hose clamp
7		1	016295	Hose

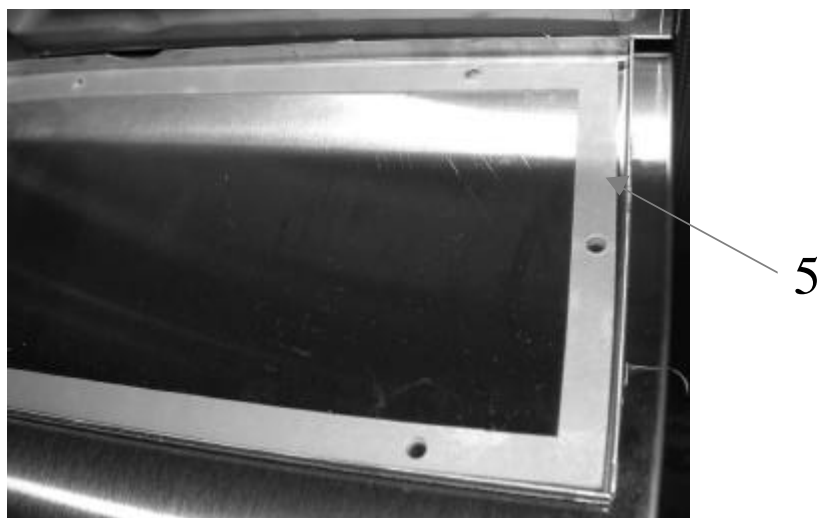
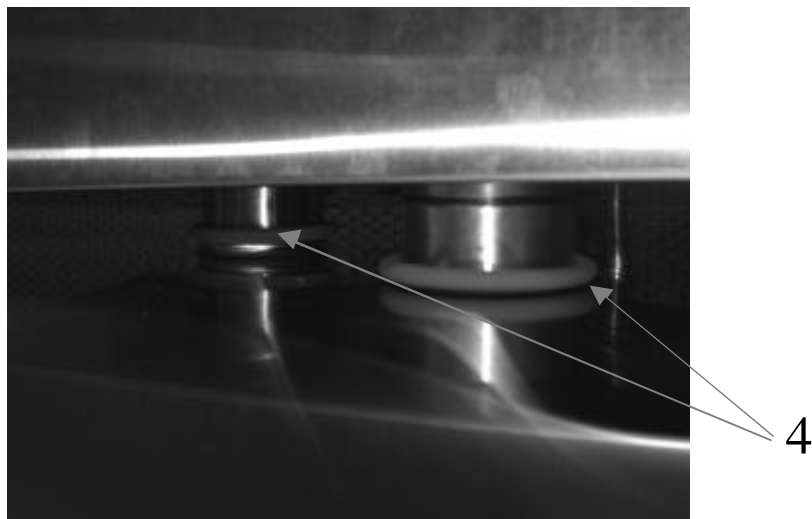


2



BKI/UK - Exhaust from fat drain

P	TYPE	QTY	PART NO	DESCRIPTION
1		1	038882	Exhaust tube
2		2	058663	O ring
3		1	016607	Lid
4		1	038881	Exhaust funnel without lid
5		6	055511	Screw

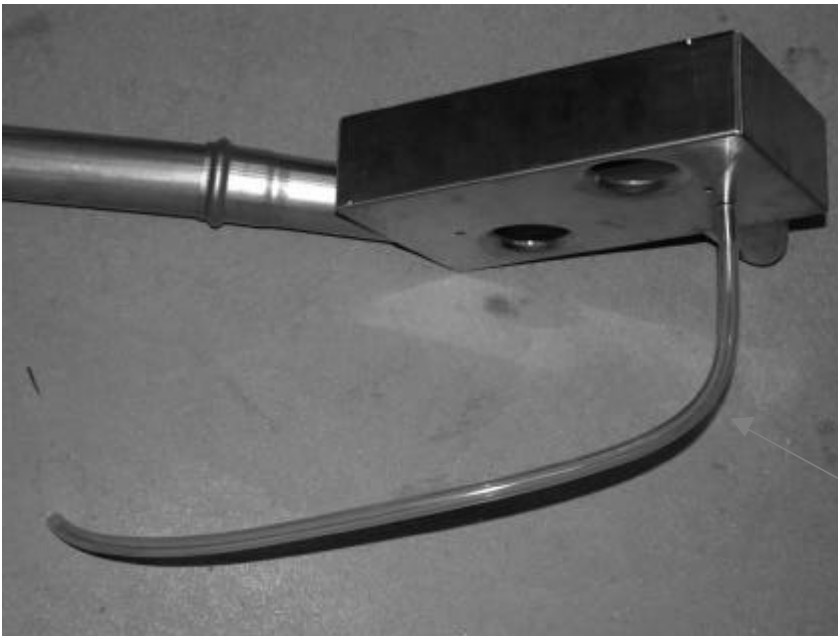


BKI/UK - Exhaust from fat drain

P	TYPE	QTY	PART NO	DESCRIPTION
1		2	059962	Screw
2		2	057603	Washer
3		2	057140	Washer, rubber
4		2	058663	O ring
5		1	070137	Sealing for lid



1



2

BKI/UK - Exhaust from fat drain

P	TYPE	QTY	PART NO	DESCRIPTION
1		1	058663	O ring
2		x	059037	Hose



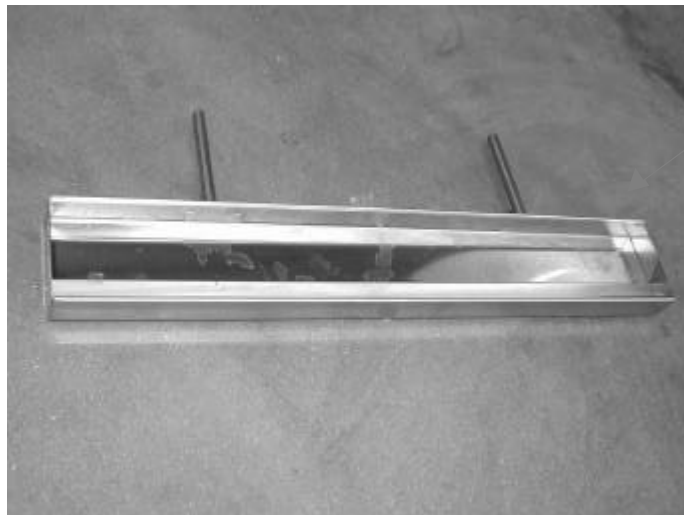
1



4

2

3



5

6



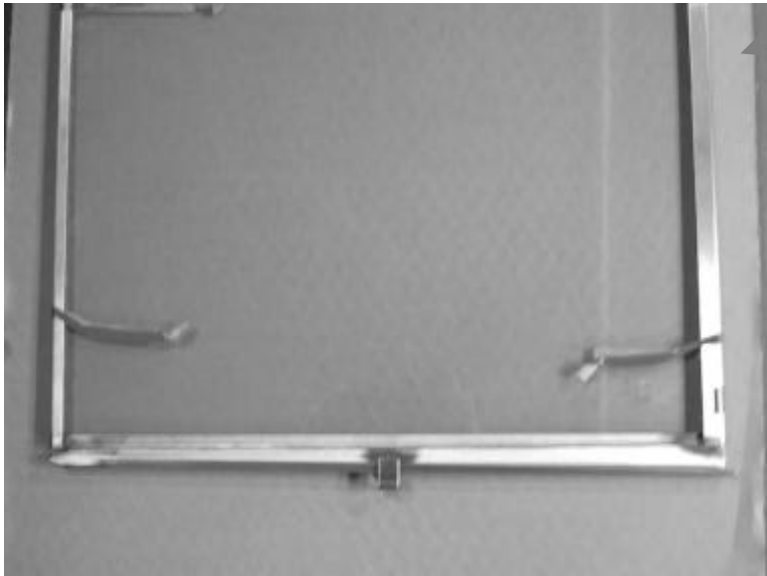
7

Miscellaneous

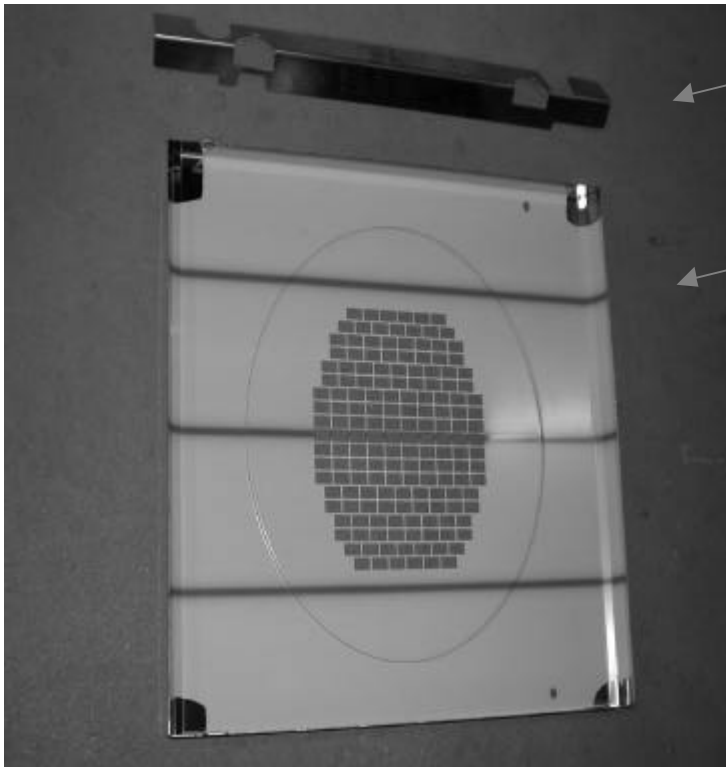
P	TYPE	QTY	PART NO	DESCRIPTION
1		1	038732	Plug, fat drain
2		1	038928	Sieve
3		1	038850	Drip pan
4	1/1-GN	1	038967	Drip pan assy
4	400x600	1	038929	Drip pan assy
4	400x600 PT	1	038931	Drip pan assy, Pass-Through
5		1	038499	Drip tray
6	BKI	1	068909	Switch
7	BKI	1	068313	Restart button



1



2



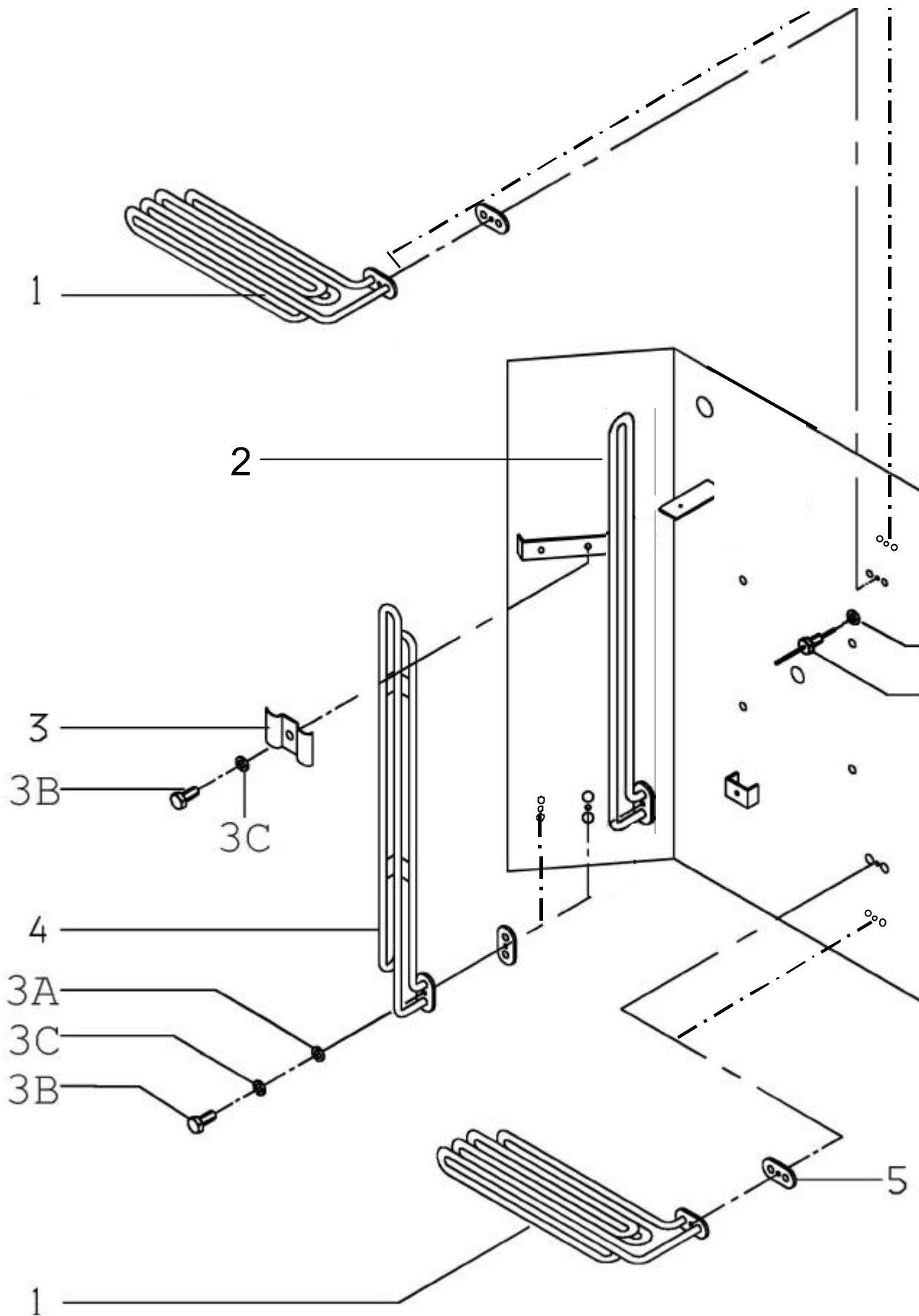
3

4

Miscellaneous

P	TYPE	QTY	PART NO	DESCRIPTION
1		1	038941	Drip tray
2	1.10	1	041006	Interior glass, LH hinged
2	1.10	1	041007	Interior glass, RH hinged
2	1.16	1	038972	Interior glass, LH hinged
2	1.16	1	038975	Interior glass RH hinged
3	BM-1/1	1	20100070	Upper shield
4	1.06	1	20100042	Filter housing BM
4	1.08	1	20100043	Filter housing BM
4	1.10	1	20100004	Filter housing BM
4	1.12	1	20100073	Filter housing BM
4	1.16	1	20100076	Filter housing BM
4*	1.20	2	20100039	Filter housing BM

* 2 stk./pcs./Stck.



Heating elements for customised combi steamer

P	TYPE	QTY	PART NO	DESCRIPTION
1	3 x 200	4	072473	Heating ele. 3300W
1	3 x 230	4	072418	Heating ele. 3300W
1	3 x 400+N	4	072418	Heating ele. 3300W
1	3 x 400	4	072468	Heating ele. 3300W
1	3 x 415+N	4	072450	Heating ele. 3300W
1	3 x 440	4	072429	Heating ele. 3300W
1	3 x 480 V	4	072483	Heating ele. 3300W
2	3 x 200	2	072475	Heating ele. 1650 W
2	3x230	2	072404	Heating ele. 1650 W
2	3x400+N	2	072404	Heating ele. 1650 W
2	3x400	2	072462	Heating ele. 1650 W
2	3x415+N	2	072452	Heating ele. 1650 W
2	3x440	2	072425	Heating ele. 1650 W
2	3x480	2	072481	Heating ele. 1650 W
3		6	013031	Tube clamp
3A		6	057501	Washer
3B		12	055516	Screw
3C		6	057501	Washer, spring
4	3 x 200	4	037814	Heating ele. 3300W
4	3 x 230	4	032033	Heating ele. 3300W
4	3 x 400+N	4	032033	Heating ele. 3300W
4	3 x 400	4	034233	Heating ele. 3300W
4	3 x 415+N	4	032047	Heating ele. 3300W
4	3 x 440	4	033619	Heating ele. 3300W
4	3 x 480 V	4	038370	Heating ele. 3300W
5		6	070101	Gasket
6		1	062500	Temperature sensor
7*		1	057801	Washer
8		6	016774	Nut lock